

Weber BBQ KITCHEN



ASSEMBLY GUIDE

Kit Nr.

1500610, 1500630, 1500629, 1500628

Art. Nr.

BBQ1102509, BBQ1002510, 3400544 (BBQ1000101S), BBQ1100050, 3400542 (BBQ1001000S), BBQ2000221, BBQ1100031,

BBQ1102600, 3400538 (BBQ1000400S), 3400465 (BBQ1102500S), 3400999 (BBQ2000188),

BBQ2000219, 3401010 (BBQ1100040), 3401011 (BBQ1100071)



BBQ KITCHEN



The following grills are certificated according to DBI Certification to build-in in the connection kit:







GENESIS Series: E-325s, E-335, E-425s, E-435, EPX-335, EPX-435, SE-EPX-335, SE-EPX-435, S-325s, S-335, SE-E-325s, SE-E-425s, SE-S-435, EX-325s, EX-335, EX-435, SE-EX-435, SE-SX-335, SX-325S, SX-435

E315 W, E-415 W, W-325 W, E-425W, E-335 W, E-335 L (handle Light), E-435 W, E-435 L (handle Light), EP-335 W, SP-335W, EP-435W, SP-435W, EPX335, EPX435, E-330 WR STEALTH, E315, EPX-470

TABLE OF CONTENTS

DESCRIPTION OF SYMBOLS	3
KEY POINTS FOR ASSEMBLY	4
FOR YOUR SAFETY	4
CARE AND MAINTENANCE	4
IMPORTANT FOR THE FOUNDATION	4
BBQ1102509 CONNECTION KIT GENESIS 3 BURNER	6
BBQ1102510 CONNECTION KIT GENESIS 4 BURNER	6
3400544 (BBQ1000101S) BASIC MODULE INCL. SCREW KIT WITHOUT COUNTER TOP	16
BBQ1100050 CORNER MODULE	23
3400542 (BBQ1001000S) COUNTER TOP STAINLESS STEEL, CLOSED, INCL. SCREW KIT	28
BBQ2000221 CONNECT KIT	32
CONNECTION OF A BASIC MODULE TO A CONNECTION KIT	40
CONNECTION OF MULTIPLE BASIC MODULES	41
CONNECTION OF A BASIC MODULE TO A CORNER MODULE	42
CONNECTION OF A CORNER MODULE TO MULTIPLE BASIC MODULES	43
BBQ1100031 SIDE BURNER MODULE GENESIS	44
BBQ1102600 SIDE PANEL BLACK INCL. SCREW KIT	52
3400538 (BBQ1000400S) DOOR WITH HANDLE INCL. SCREW KIT	54
3400465 (BBQ1102500S) STORAGE SHELF INCL. SCREW KIT	60
3400999 (BBQ2000188) DOUBLE DRAWER SET INCL. SCREW SET	62
BBQ2000219 TOOL HOOK	70
3401010 (BBQ1100040) SINK MODULE	72
3401011 (BBQ1100071) FRIDGE MODULE (FOR BIG FRIDGE)	86

DESCRIPTION OF SYMBOLS



	USE WORK GLOVES DURING ASSEMBLY!		NOTE/INFORMATION
	USE A SUITABLE UNDERLAY TO PREVENT SCRATCHES!		SPIRIT LEVEL SYMBOL Align the part in question using the spirit level.
	YOU WILL NEED A HELPER FOR THIS ASSEMBLY STEP.		ORIGINAL WEBER® INSTRUCTION Follow the original Weber® instructions.


KEY POINTS FOR ASSEMBLY


These assembly instructions show the assembly of the Weber® BBQ Kitchen. Read and follow the safety information in the below guide in addition to the Weber LPG OWNERS MANUAL. Assemble your kitchen and grill with care. Failure to observe the risks, warnings and safety precautions set out in these assembly instructions may result in injuries or property damage.


Observe a working temperature of +5 °C to +35 °C for assembly.


FOR YOUR SAFETY


	Follow all DANGER, WARNING and CAUTION statements provided in your Weber® Grill Owner's Guide!
	<ul style="list-style-type: none"> CAUTION: Always wear heat-resistant gloves when handling a hot sear grate. CAUTION: Do not set a sear grate on a combustible surface, glass, or a surface that can be damaged by heat. WARNING: Hot surface. <p>Failure to follow these DANGER, WARNING and CAUTION statements may result in serious bodily injury or death, or may result in a fire or an explosion causing damage to property.</p>


	<p>DANGER!</p> <ul style="list-style-type: none"> Only use the barbecue outdoors in a well ventilated area. Do not use in a garage, building, breezeway, tent, any other enclosed area, or beneath on overhead combustible structure.
--	---


	<p>DANGER!</p> <ul style="list-style-type: none"> Do not use the barbecue in any vehicle or in any storage or cargo area of any vehicle. This includes, but is not limited to, cars, trucks, station wagons, mini-vans, sport utility vehicles, recreational vehicles, and boats.
---	---


	<p>DANGER!</p> <ul style="list-style-type: none"> When in use, combustible materials should not be within 61 cm of the back or sides of the barbecue.
---	---


	<p>DANGER! Danger of death and physical injury owing to improper use.</p> <ul style="list-style-type: none"> Observe the Weber® BBQ manual!
---	---

	<p>ATTENTION! Risk of cutting on sharp edges.</p> <ul style="list-style-type: none"> Install a protection strip on sharp edges
---	--


	<p>ATTENTION! Damage to the basic module with drawers owing to tipping.</p> <ul style="list-style-type: none"> The basic module with drawers may only be used in combination with a connection kit or other basic modules with doors or corner element. Anchoring to the wall using a wall mounting element is also permissible.
---	--

	<p>DANGER!</p> <ul style="list-style-type: none"> This appliance must be kept away from flammable materials during use.
---	---

	<p>ATTENTION! Damage to the modules</p> <ul style="list-style-type: none"> First assemble all basic modules and connect all basic modules together before installing drawers, storage shelf, doors, etc.
---	--

	<p>ATTENTION! Damage to the Weber® BBQ Kitchen owing to high temperatures.</p> <ul style="list-style-type: none"> The wall mounting element is a technical component which is not suitable for attachment to heat-sensitive materials. Do not place the wall mounting element on insulated or plastered walls. Have the mounting element of the Weber® BBQ Kitchen approved in advance by the façade or structure manufacturer. Appropriate thermal separation between the Weber® BBQ Kitchen and the façade or structure must be ensured on site (excluded from the product liability!). A temperature of up to 180 °C should be anticipated for wall mounting elements. Please note that the radiant heat from barbecues can still be up to 150 °C 25 cm away.
---	---

CARE AND MAINTENANCE

	<p>ATTENTION! Damage to the outdoor barbecue kitchen owing to storm winds.</p> <ul style="list-style-type: none"> Position the Weber® BBQ Kitchen in an area which is sheltered from the wind.
---	--

- Do not store aggressive chemicals such as chlorine or de-icing salt in the Weber® BBQ Kitchen.
- Remove sunscreen and other creams with water and soap.
- Do not use abrasive cleaning agents.
- The surfaces of the Weber® BBQ Kitchen may become scratched. Protect the surfaces with liner and/or non-slip mats.

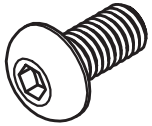
IMPORTANT FOR THE FOUNDATION

Prevent rising soil moisture and condensation by means of a thick plastic sheet under the foundation. Pay attention to rainwater in the foundation design.

Place the Weber® BBQ Kitchen on a paved area.



BBQ2000200 / 2401119
Lens head screw M4x10 DIN7380-1 A2
Torx20



BBQ2000212 / 2401111
Lens head screw M5x10 DIN7380-1-A2
stainless steel



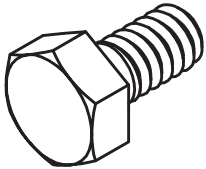
BBQ2000223 / 2401099
Countersunk screw M3x 10 DIN965-4.8
A2 Torx10



BBQ2000224 / 2401114
Plastic disc M5 black PE



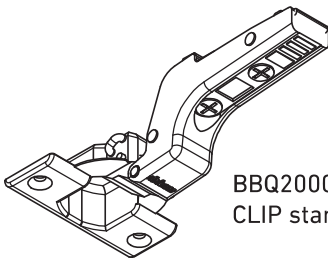
BBQ2002519 / 2401123
Nut M4 stainless steel



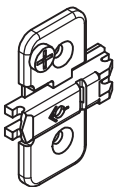
BBQ2000217 / 2401098
Bolts galvanized UNC 1/4 x 3/8 steel 8.8



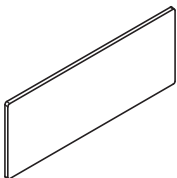
BBQ2000222 / 2401118
Shim M7 galvanized steel DIN125a



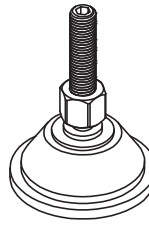
BBQ2000124 / 2401140
CLIP standard hinge



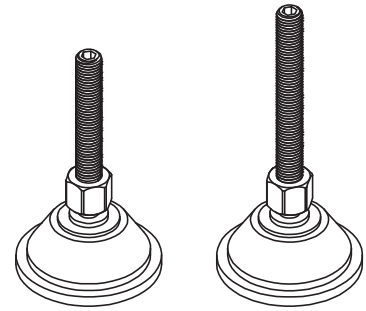
BBQ2000114 / 2401139
CLIP mounting plate cross



BBQ2000177 / 3400803
Tandembox cover cap



BBQ2000213 / BBQ2000213
Adjusting foot 80mm



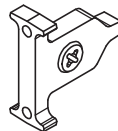
BBQ2000162 / 2401173
Door stop dampers black 4,4mm



BBQ2000161 / 2401141
Closure plugs black door 34,9x38,1x11,5mm



BBQ2000167 / 2401188
Hettichvari floor supports f. storage shelf



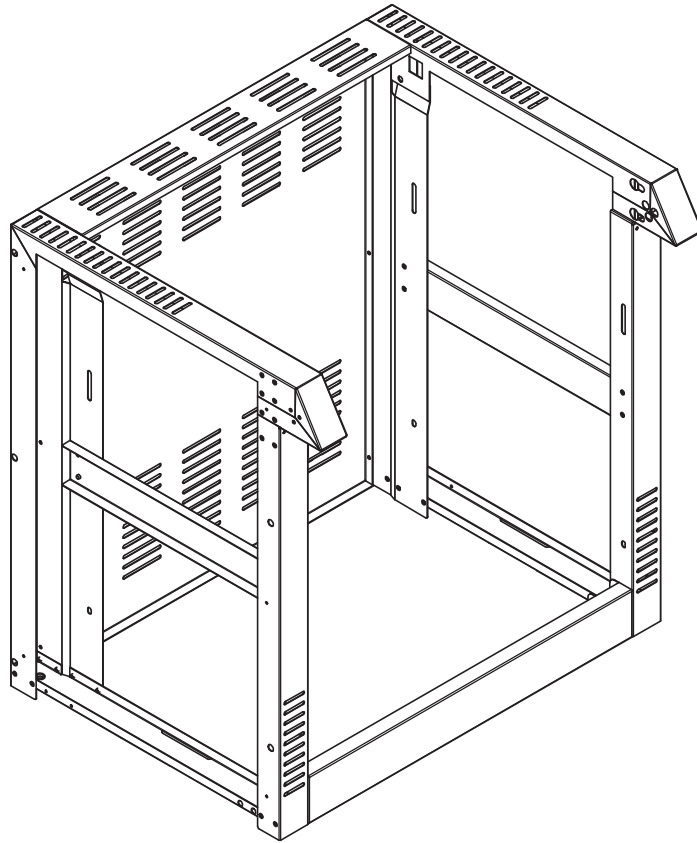
BBQ2000180 / 2401218
Tandembox front mounting



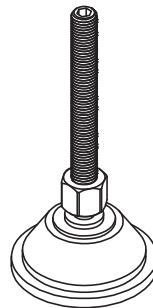
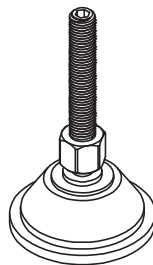
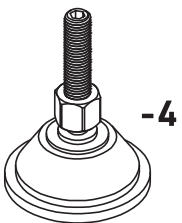
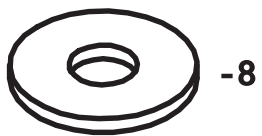
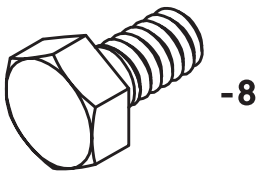
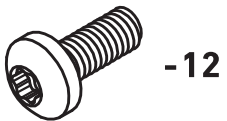
BBQ2000183 / 2401221
Tandembox front mounting

**BBQ1102509 CONNECTION KIT GENESIS 3
BURNER**

**BBQ1102510 CONNECTION KIT GENESIS 4
BURNER**



3400746 (BBQ1102001A)



TOOLS INCLUDED:



SW5

TOOLS REQUIRED:



Tx20



SW11



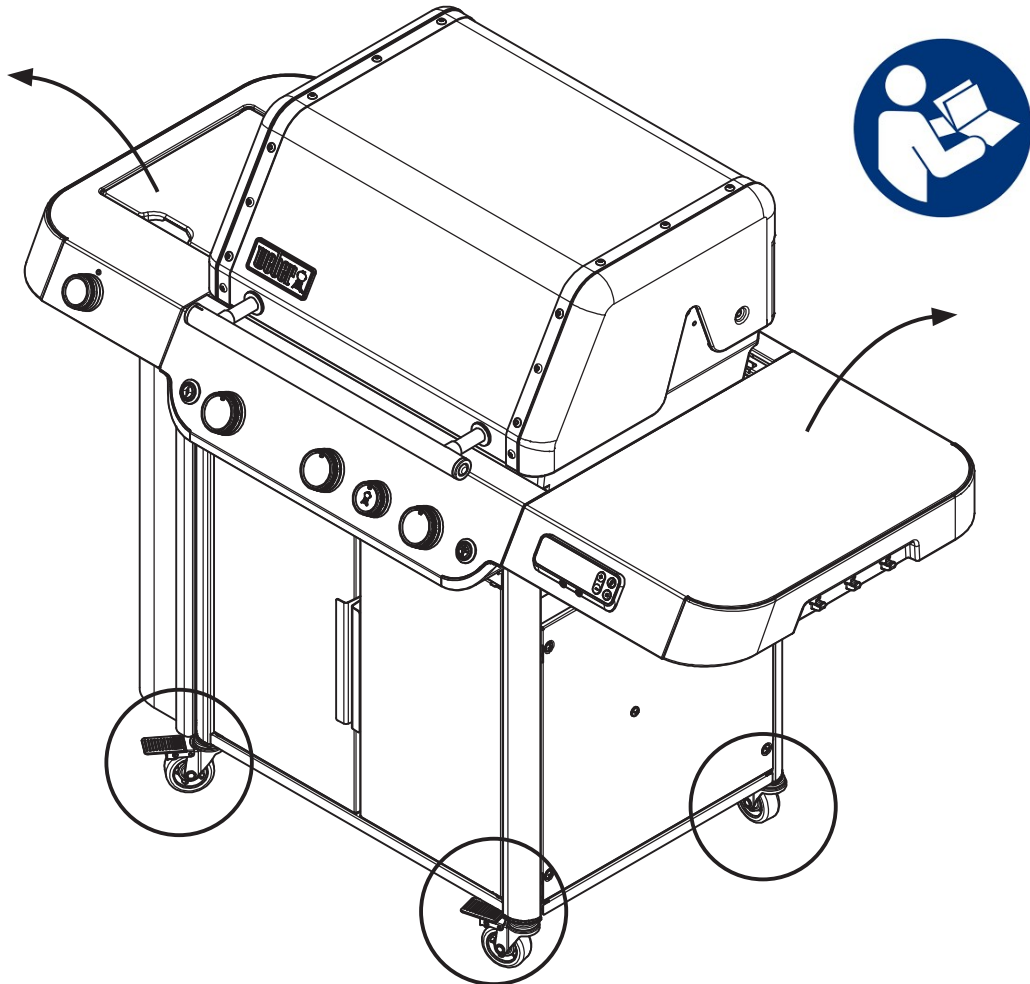
1



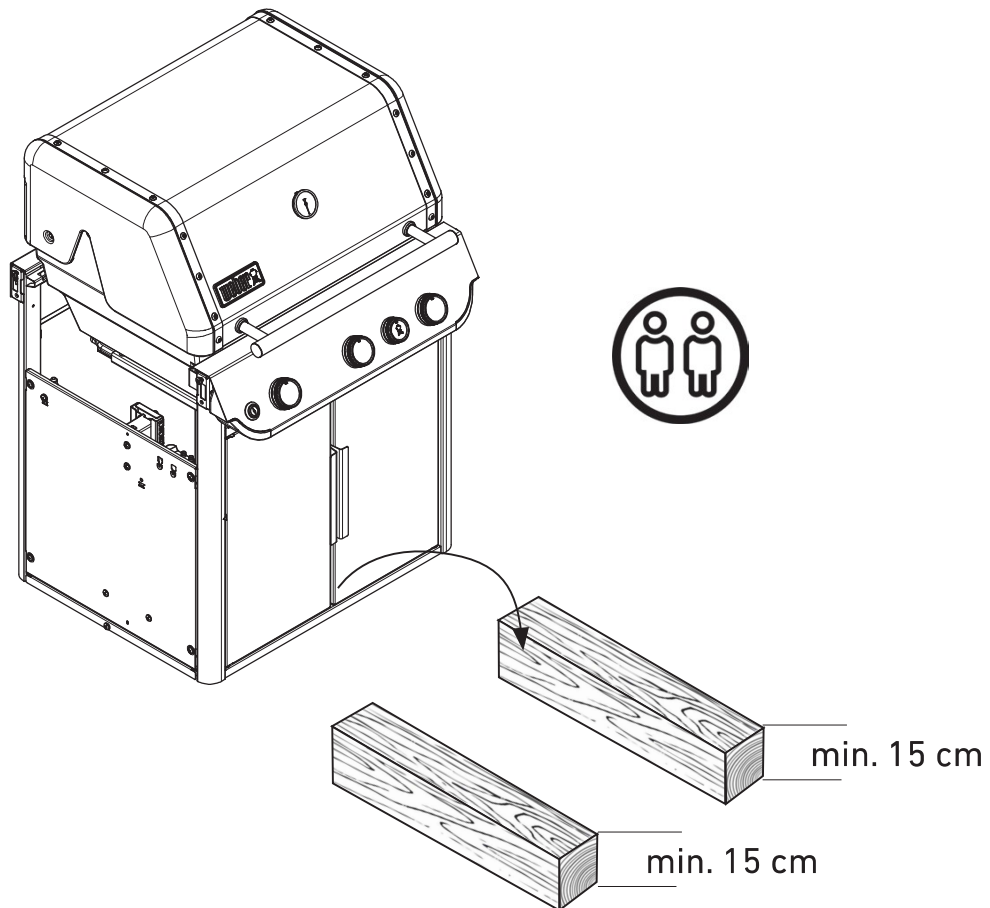
Video

https://youtu.be/3e9MBMWCaqo?si=4b4vk_2VdPybRI4X

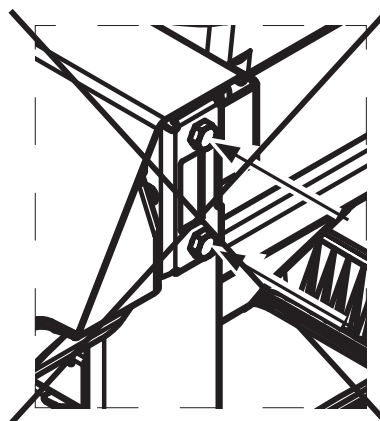
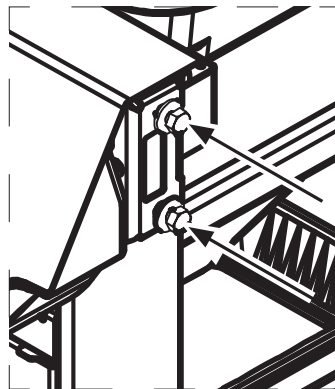
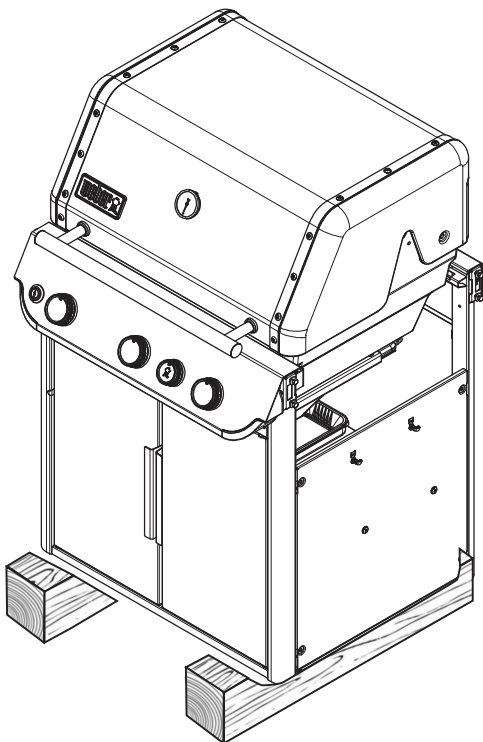
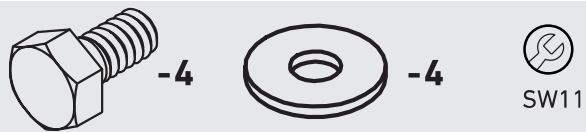
2



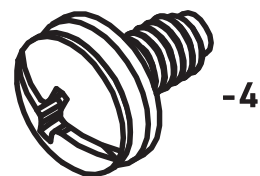
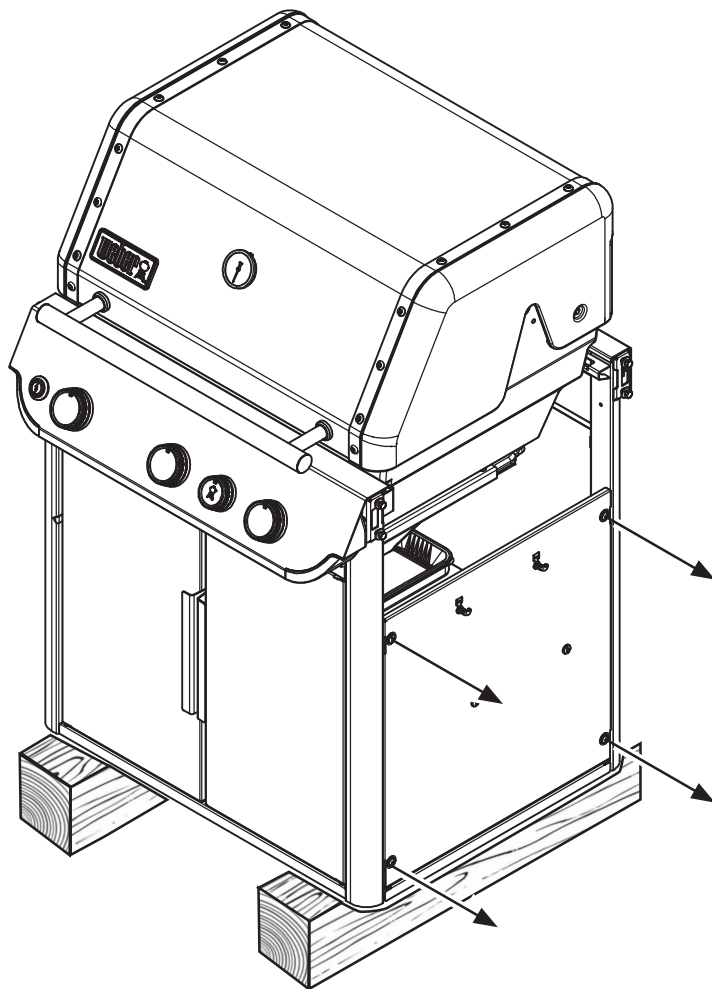
3



4



5



6



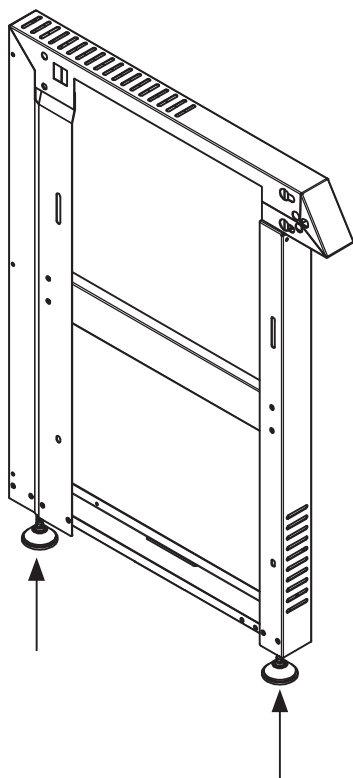
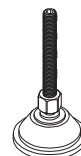
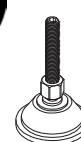
-2



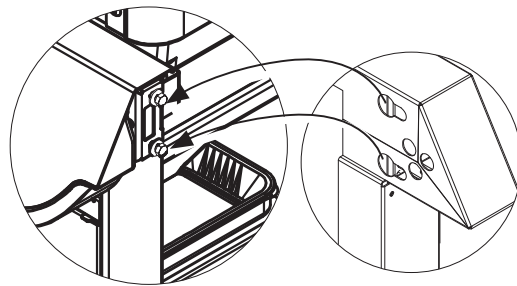
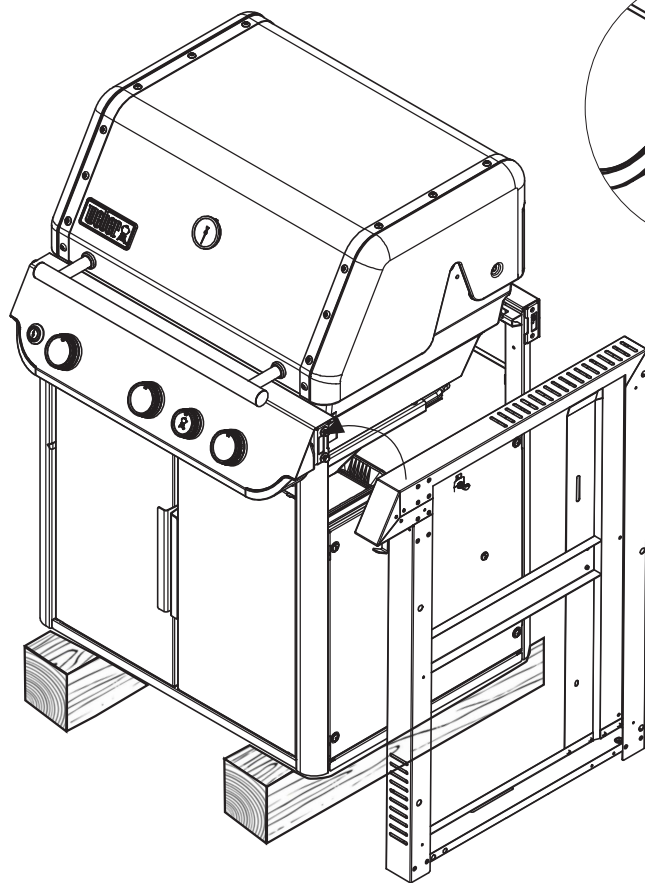
SW5



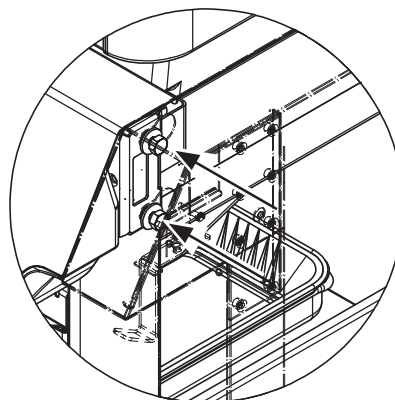
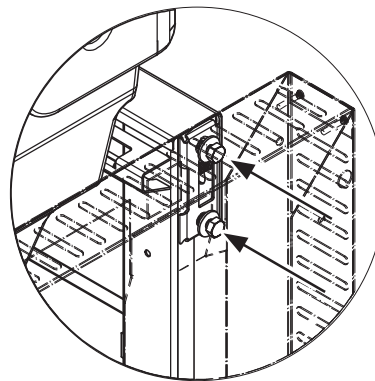
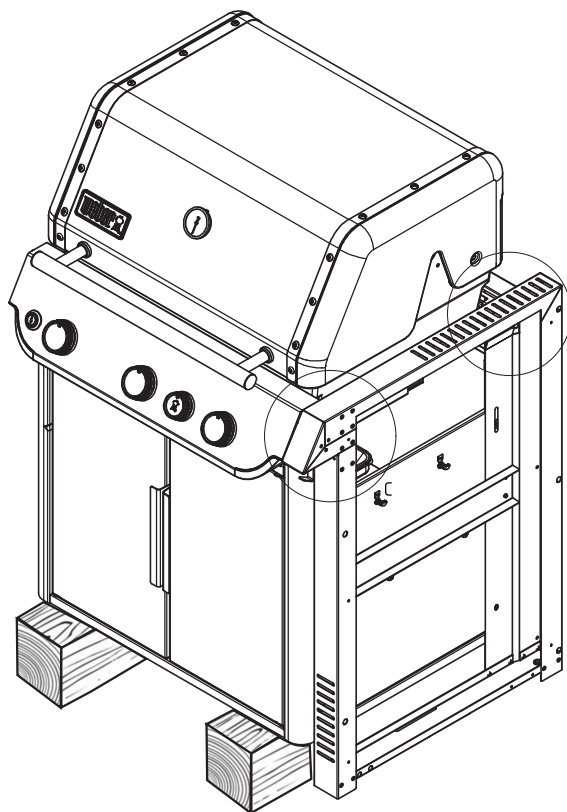
OPTION



7



8

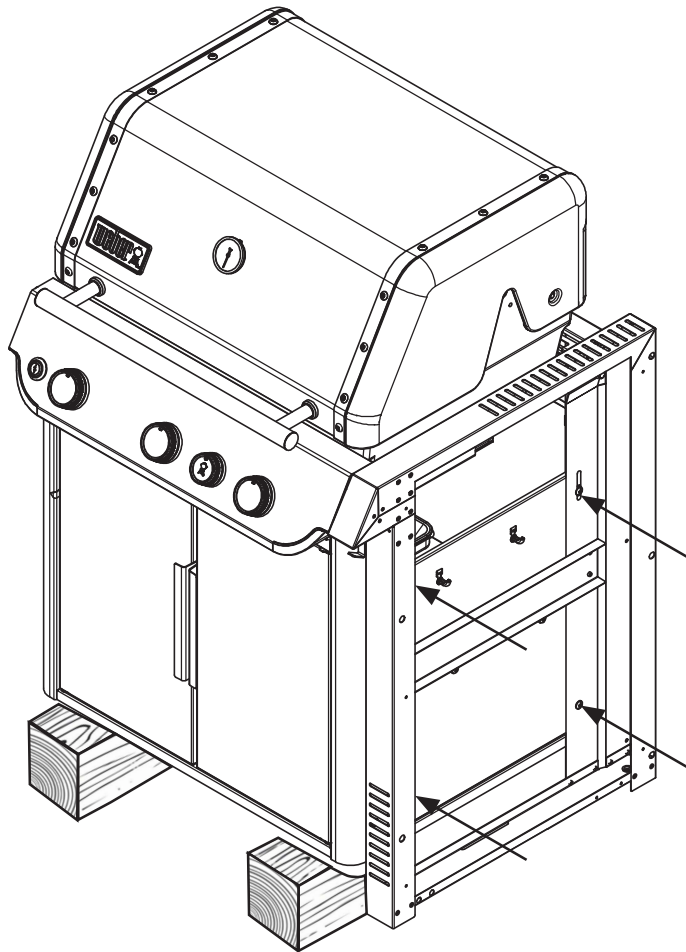


9



-4

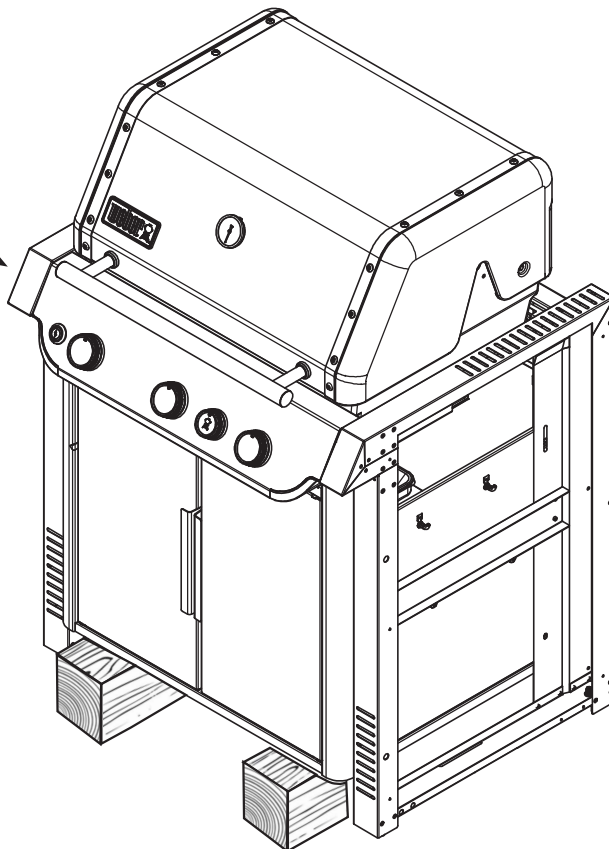
5



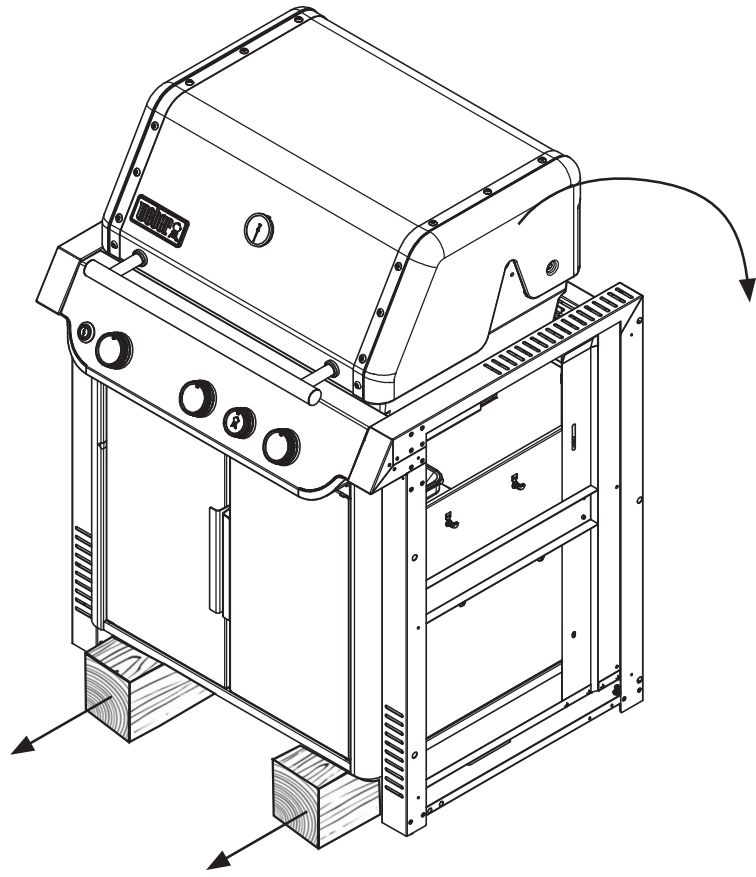
10

4

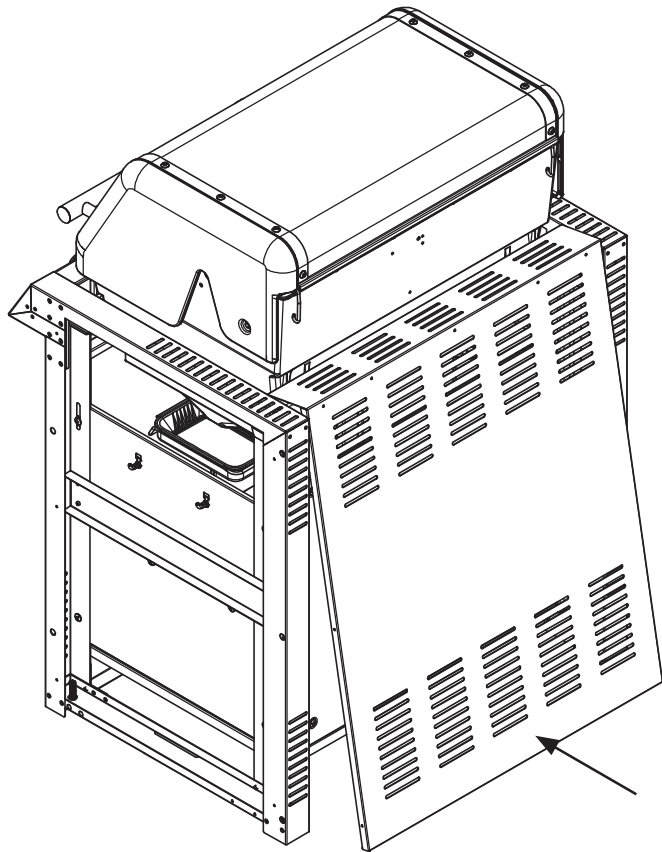
9



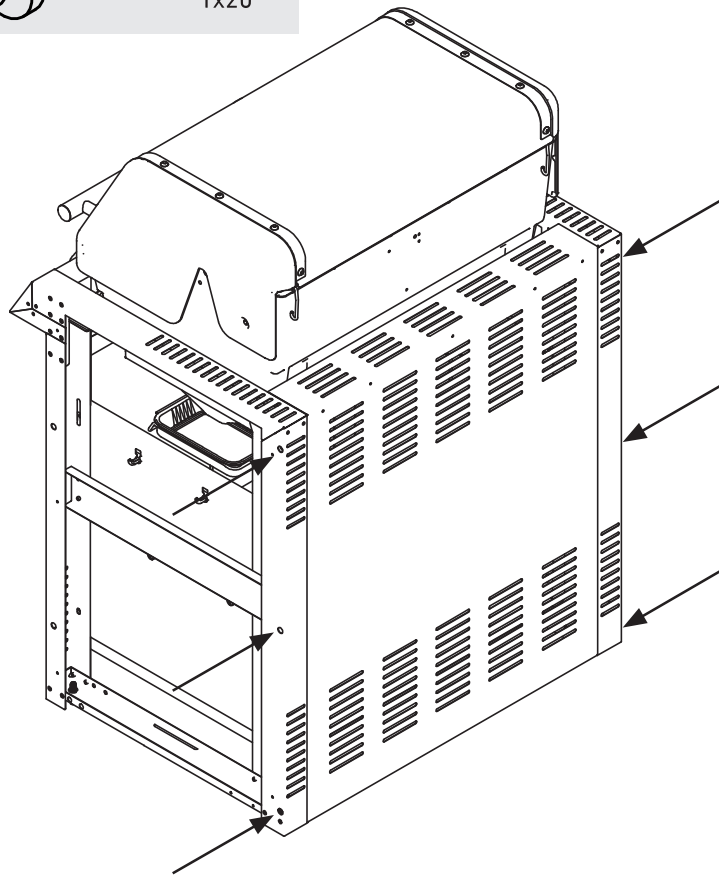
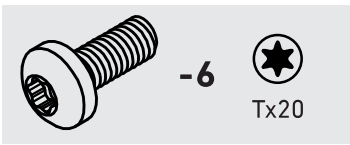
11



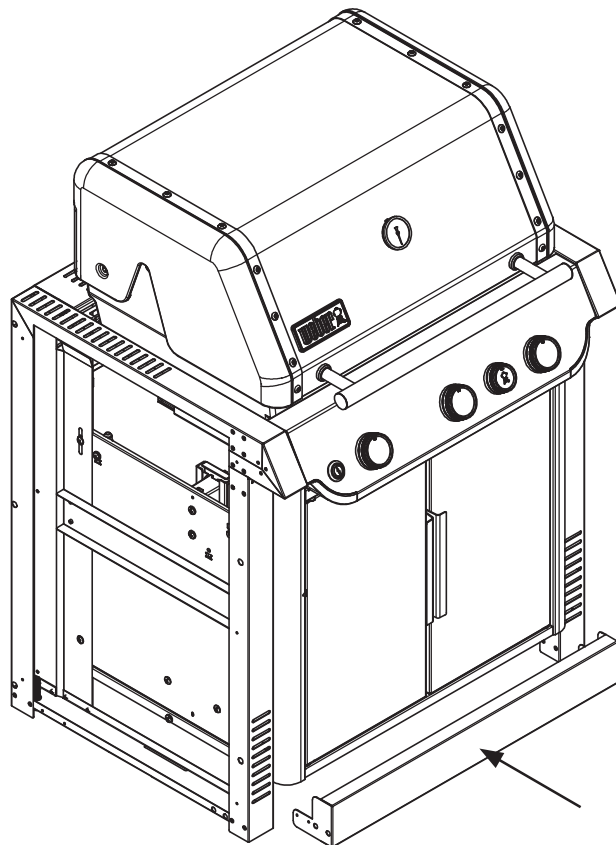
12



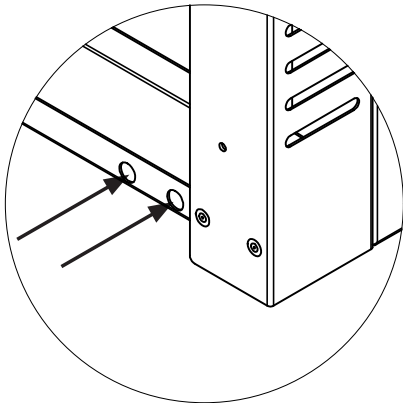
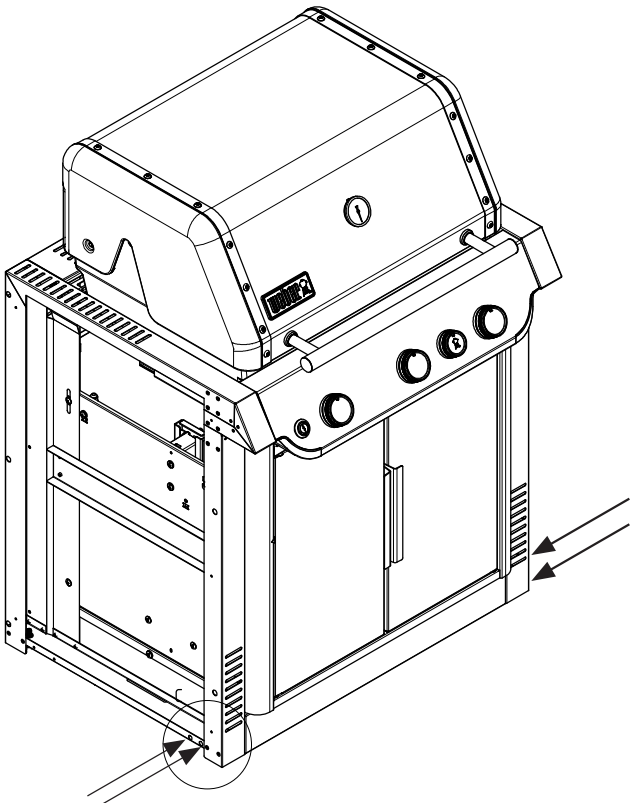
13



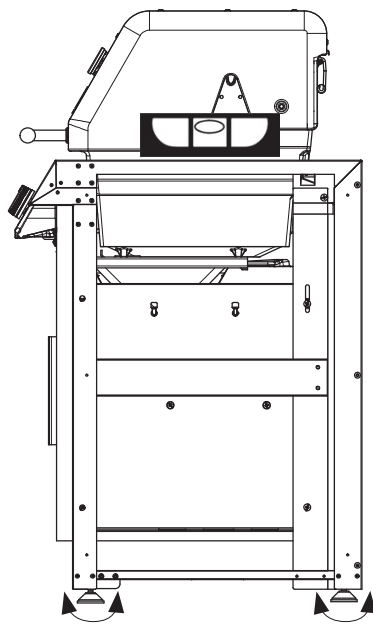
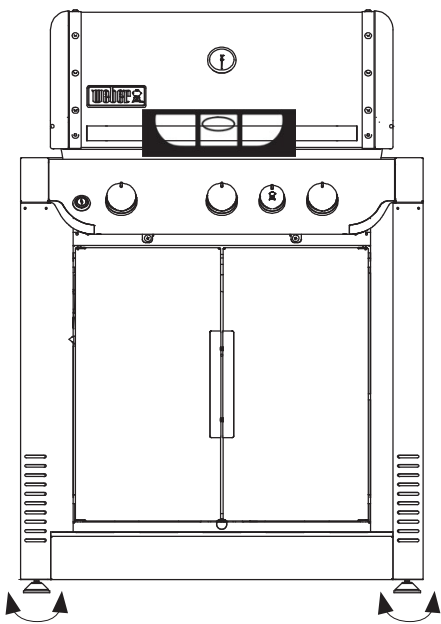
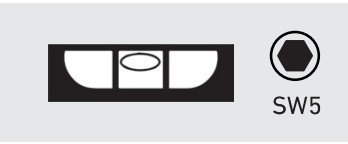
14



15



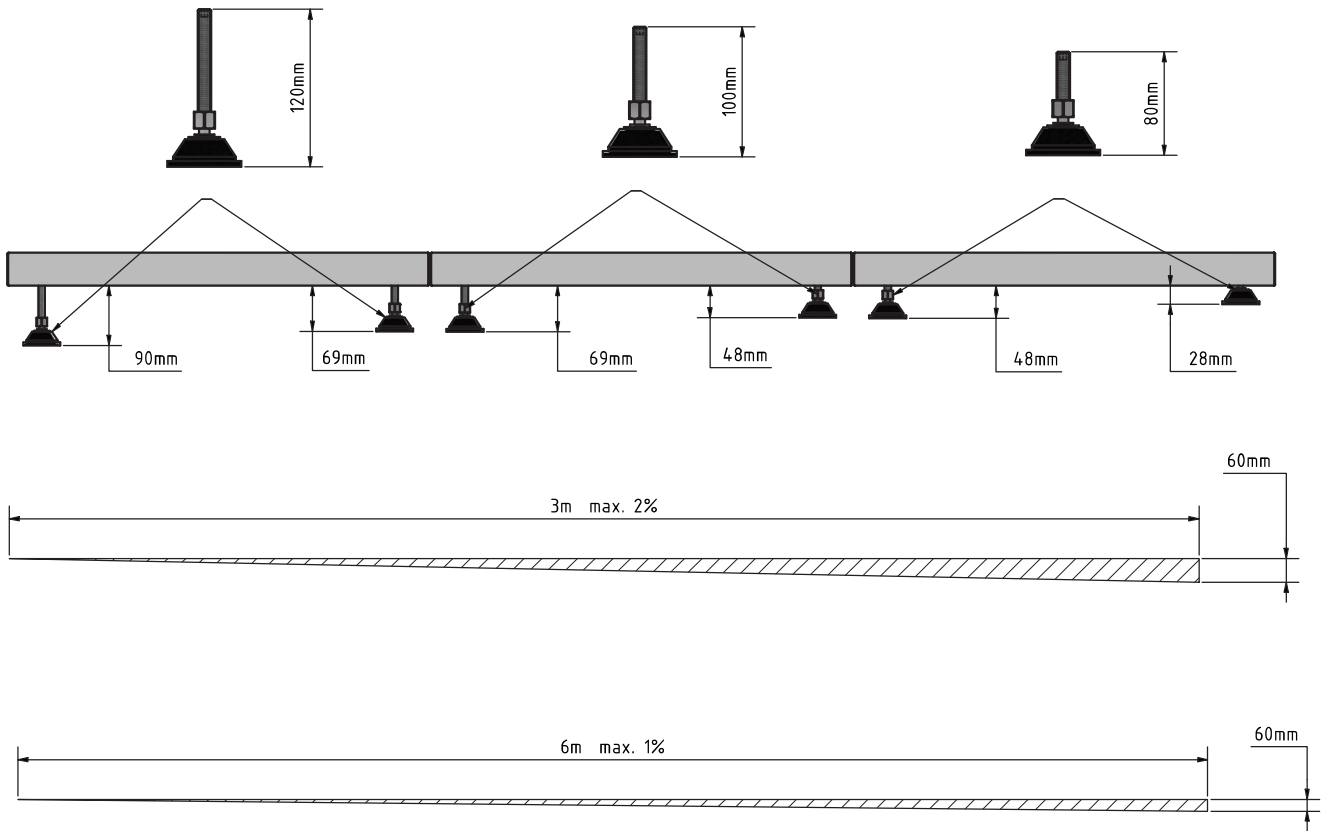
16



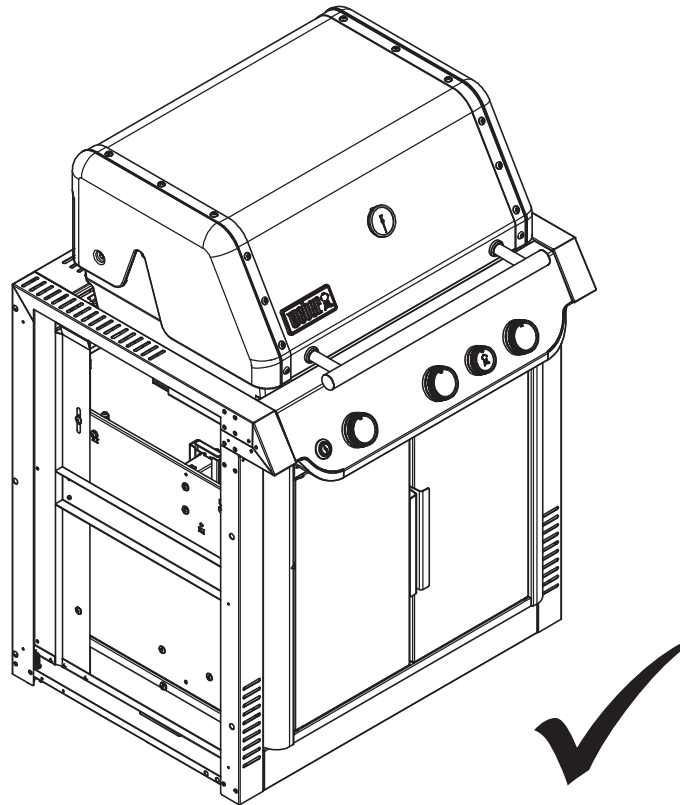
BBQ2000128

BBQ2000106

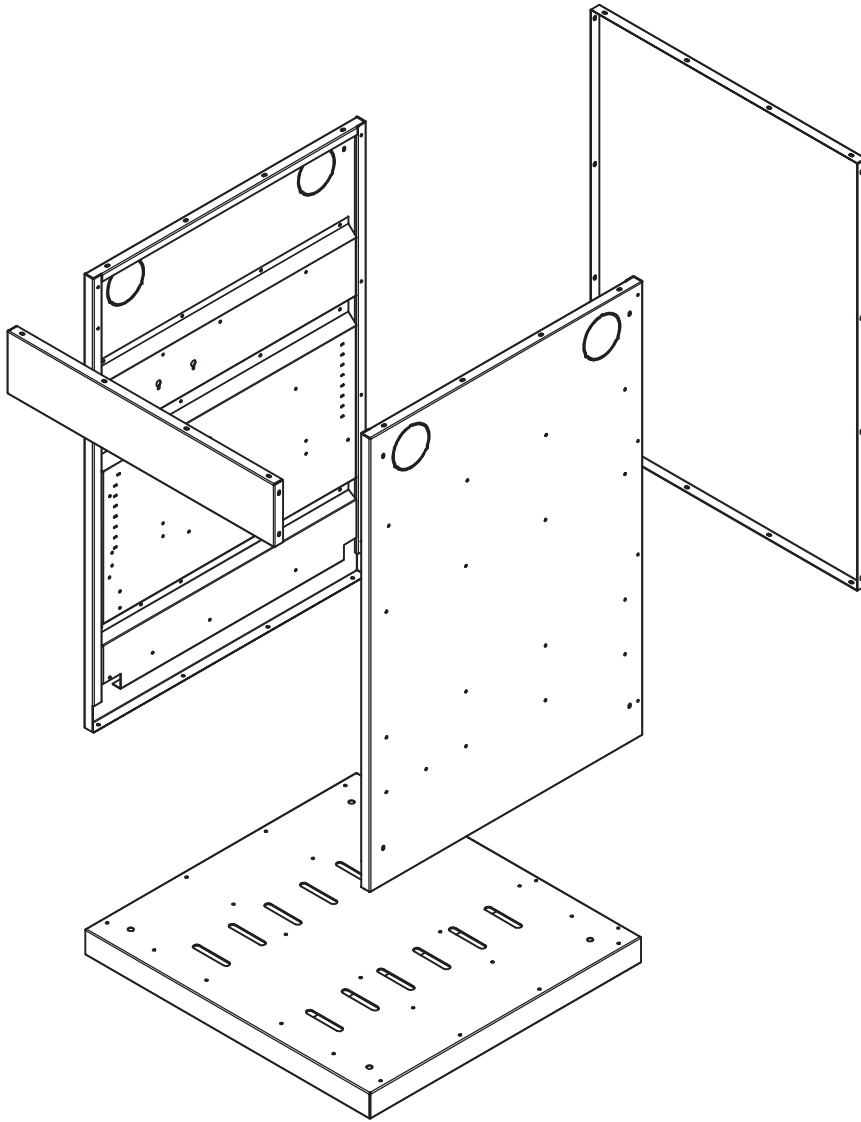
BBQ2000213



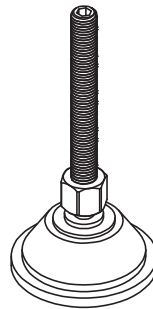
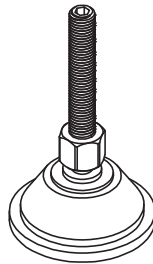
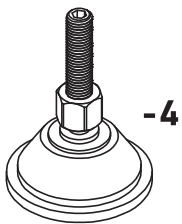
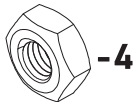
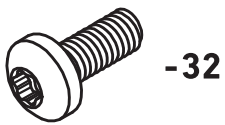
17



3400544 (BBQ1000101S) BASIC MODULE INCL. SCREW KIT WITHOUT COUNTER TOP



3400758 (BBQ1100100A)



TOOLS INCLUDED:



SW5

TOOLS REQUIRED:



Tx20



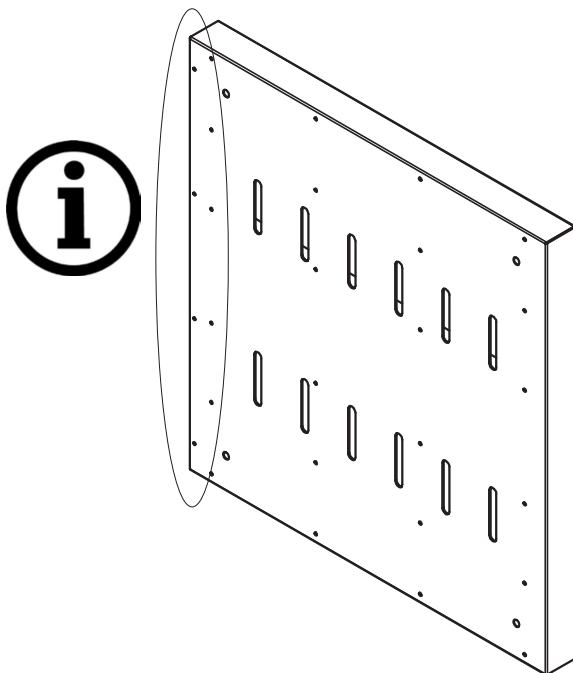
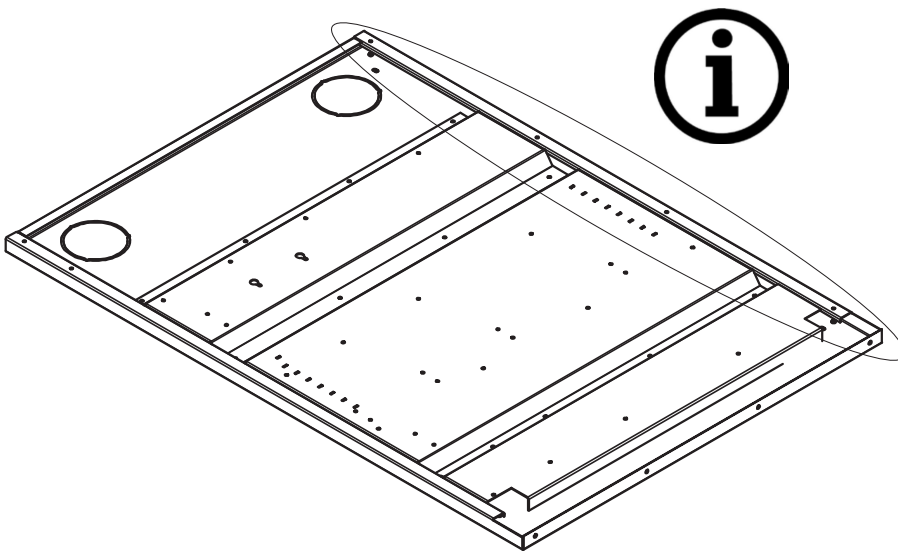
1



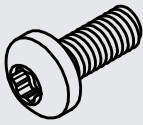
Video

<https://youtu.be/3GbFCz4UgH8?si=5l-CzRSsgQphHan>

2



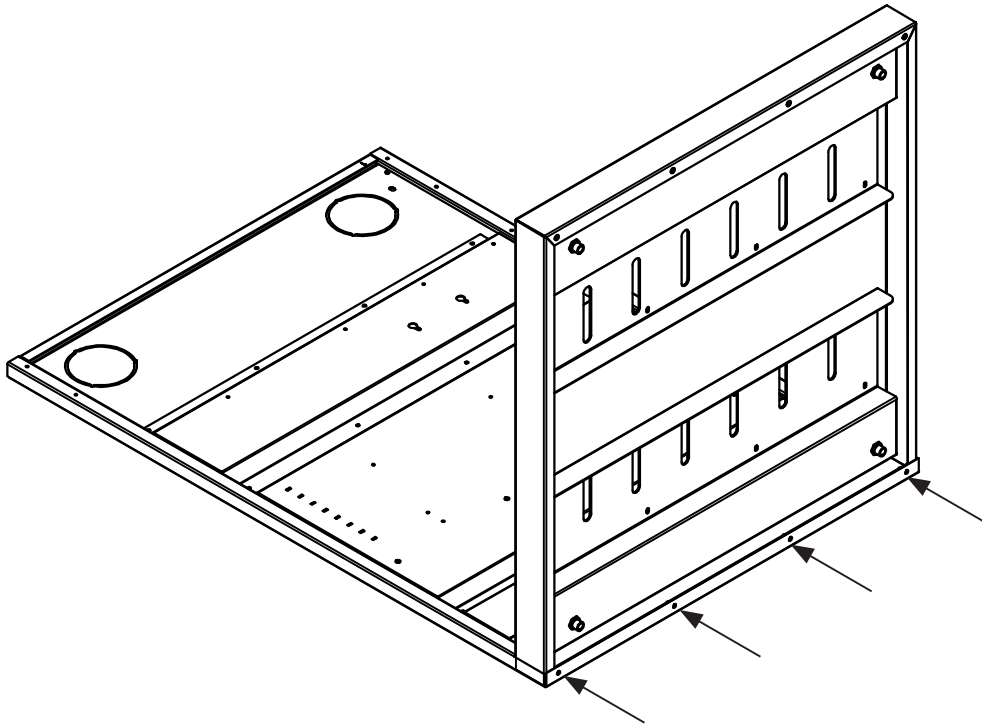
3



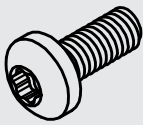
-4



Tx20



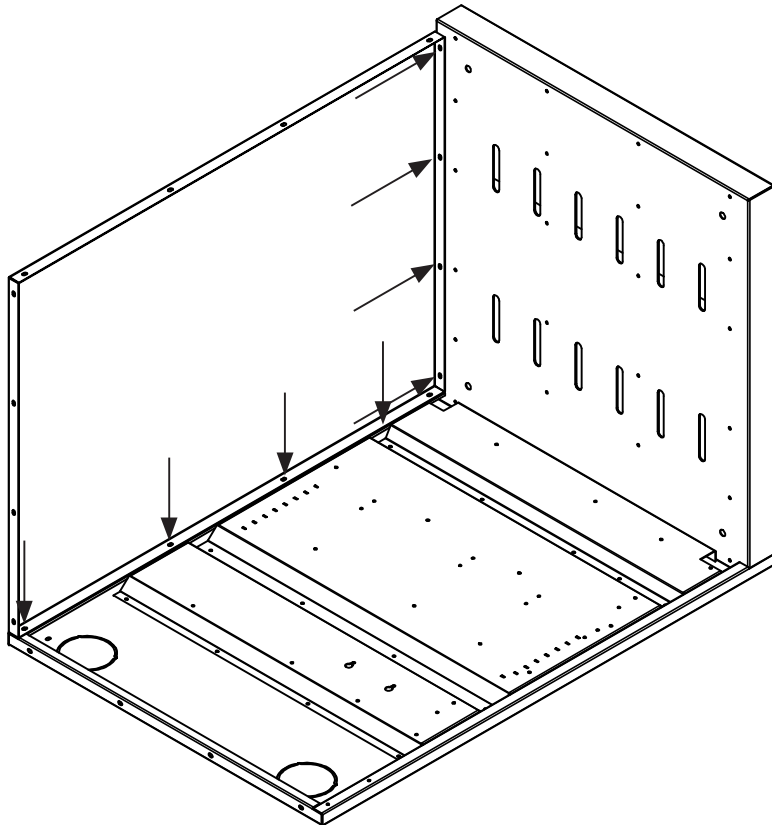
4



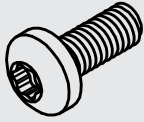
-8



Tx20



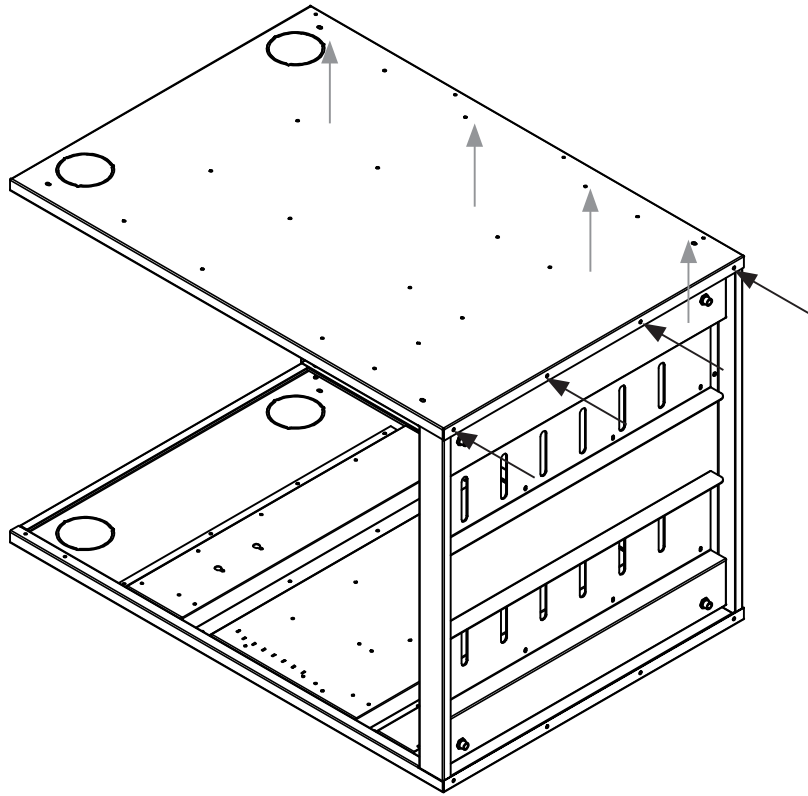
5



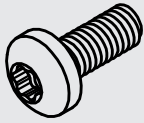
-8



Tx20



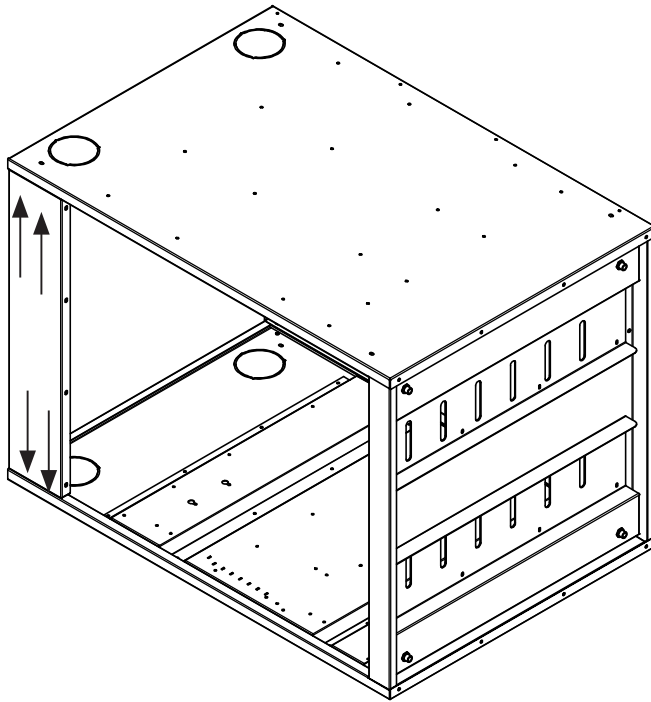
6



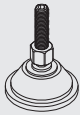
-4



Tx20



7



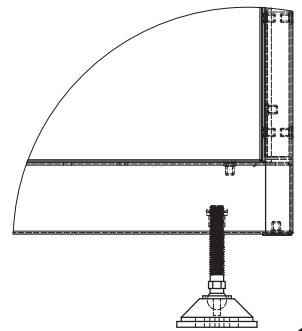
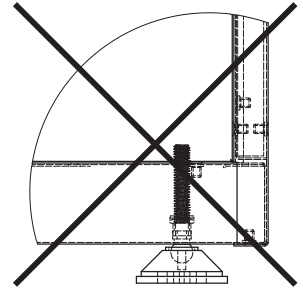
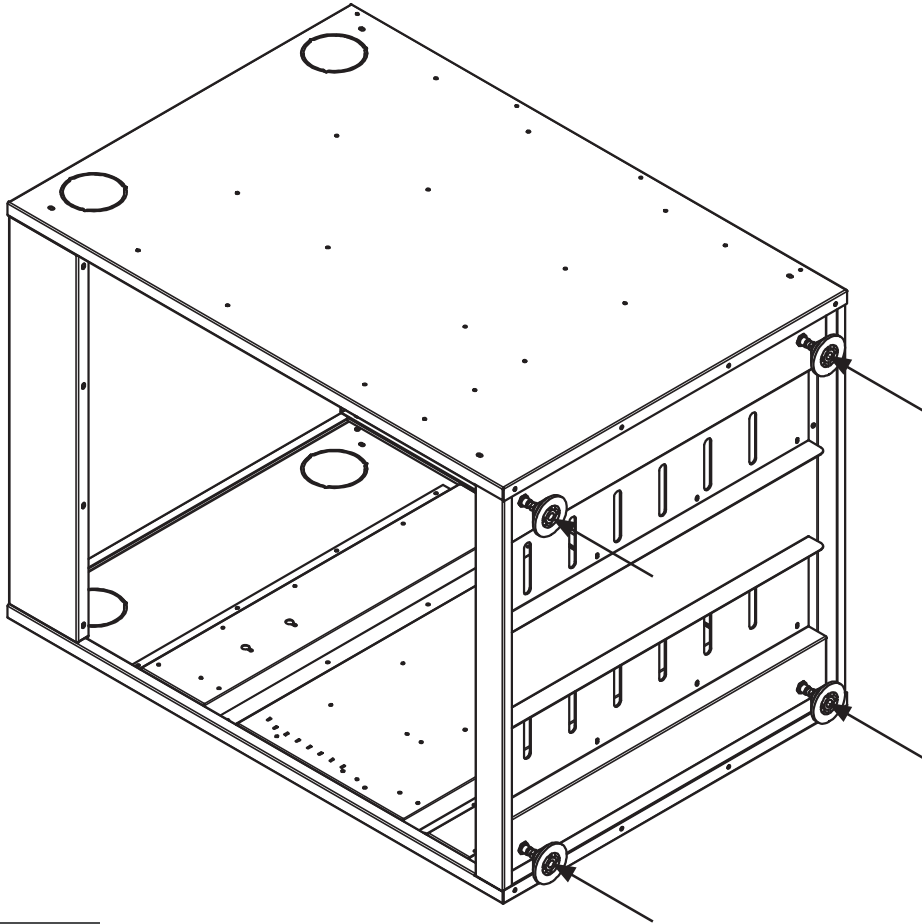
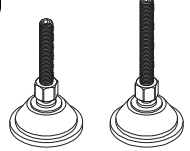
-4



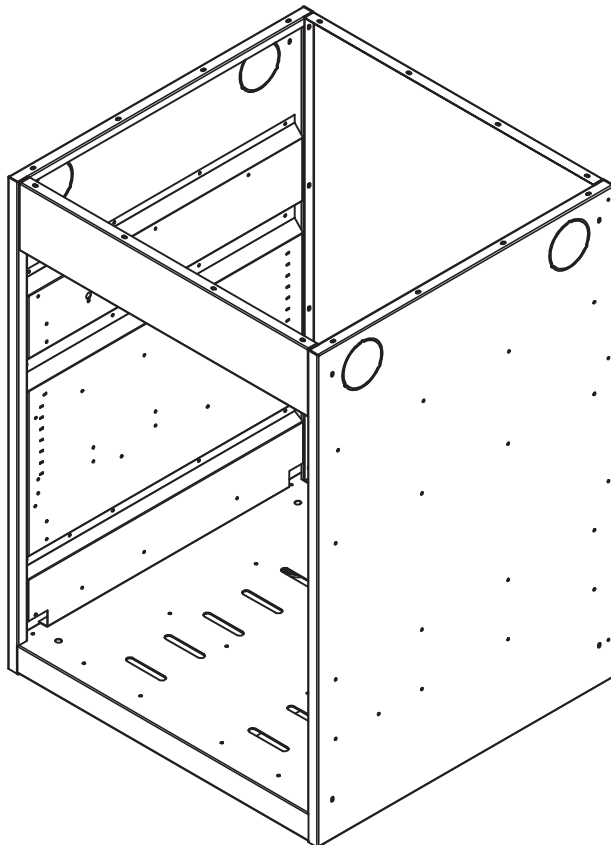
SW5

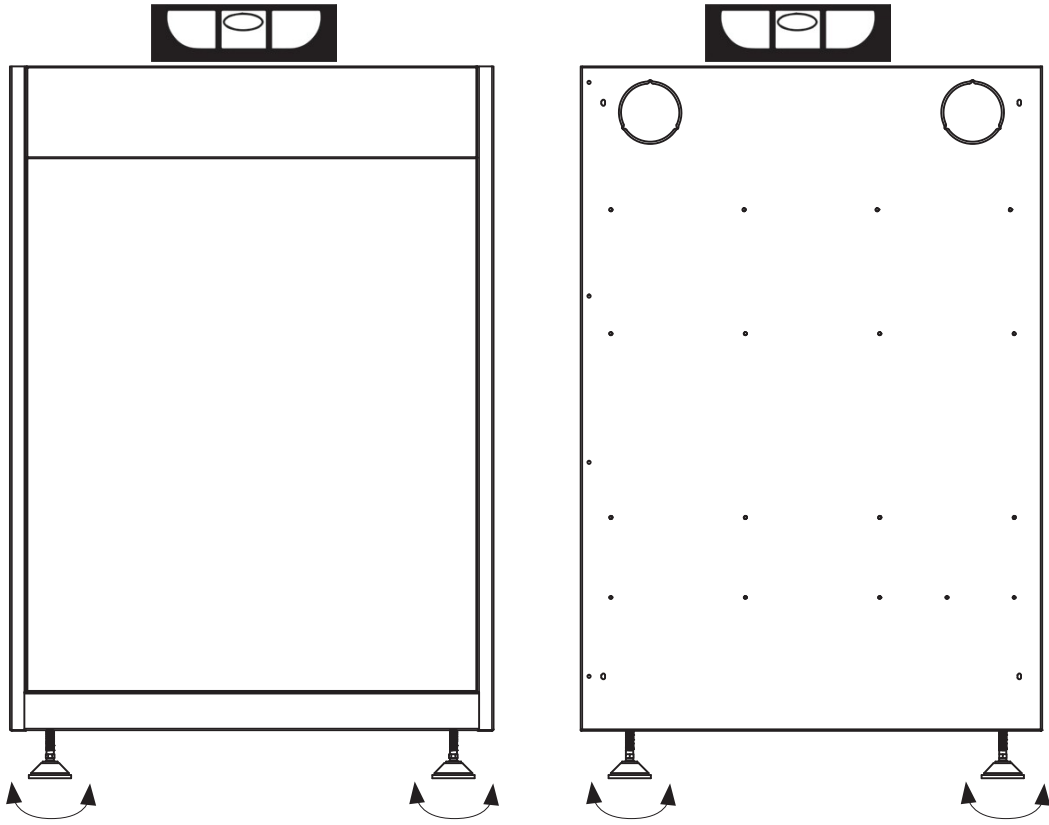


OPTION



8

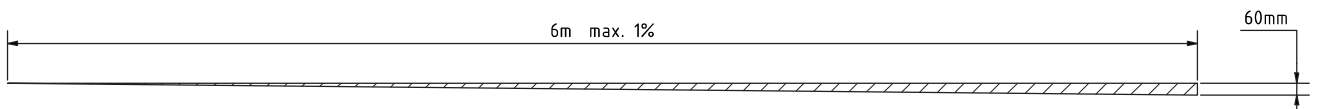
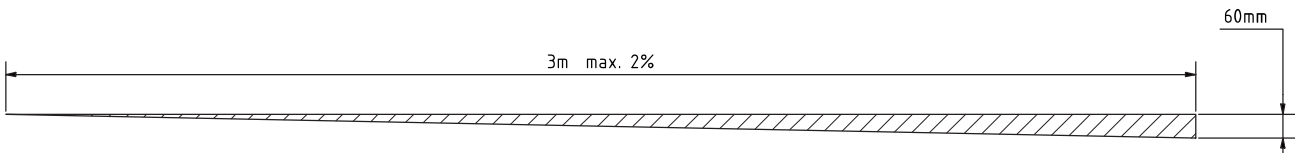
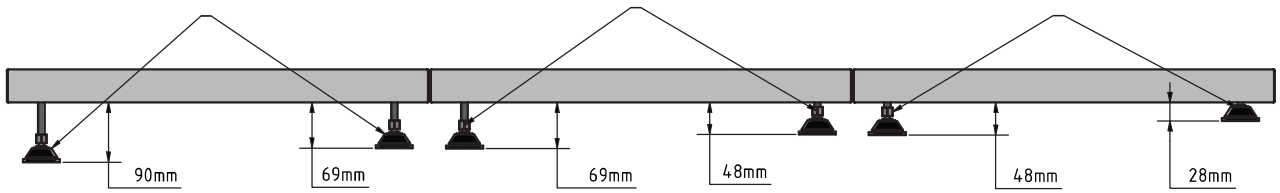
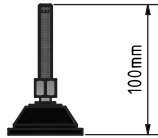
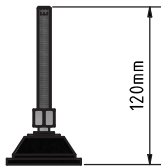




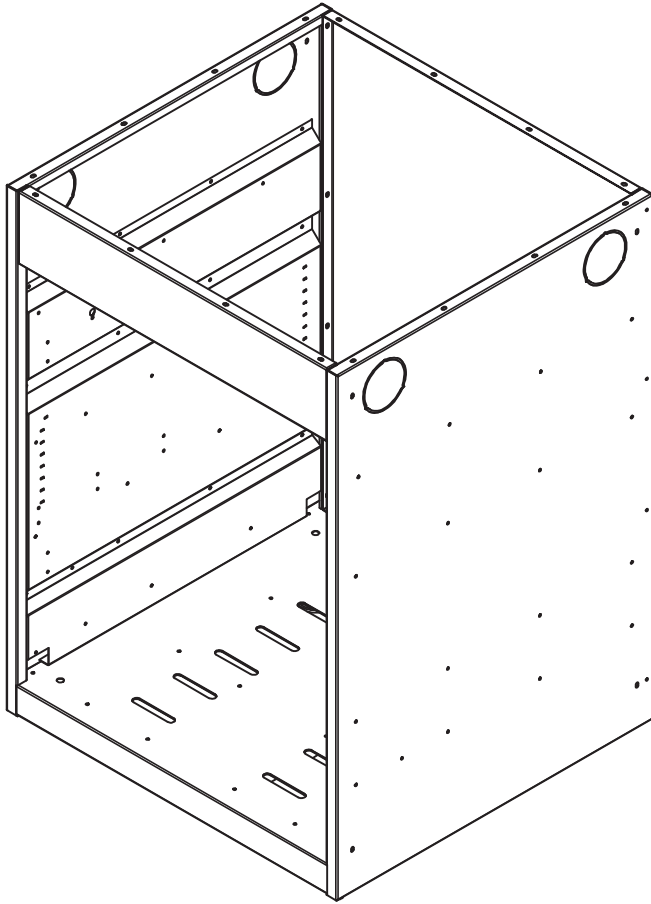
BBQ2000128

BBQ2000106

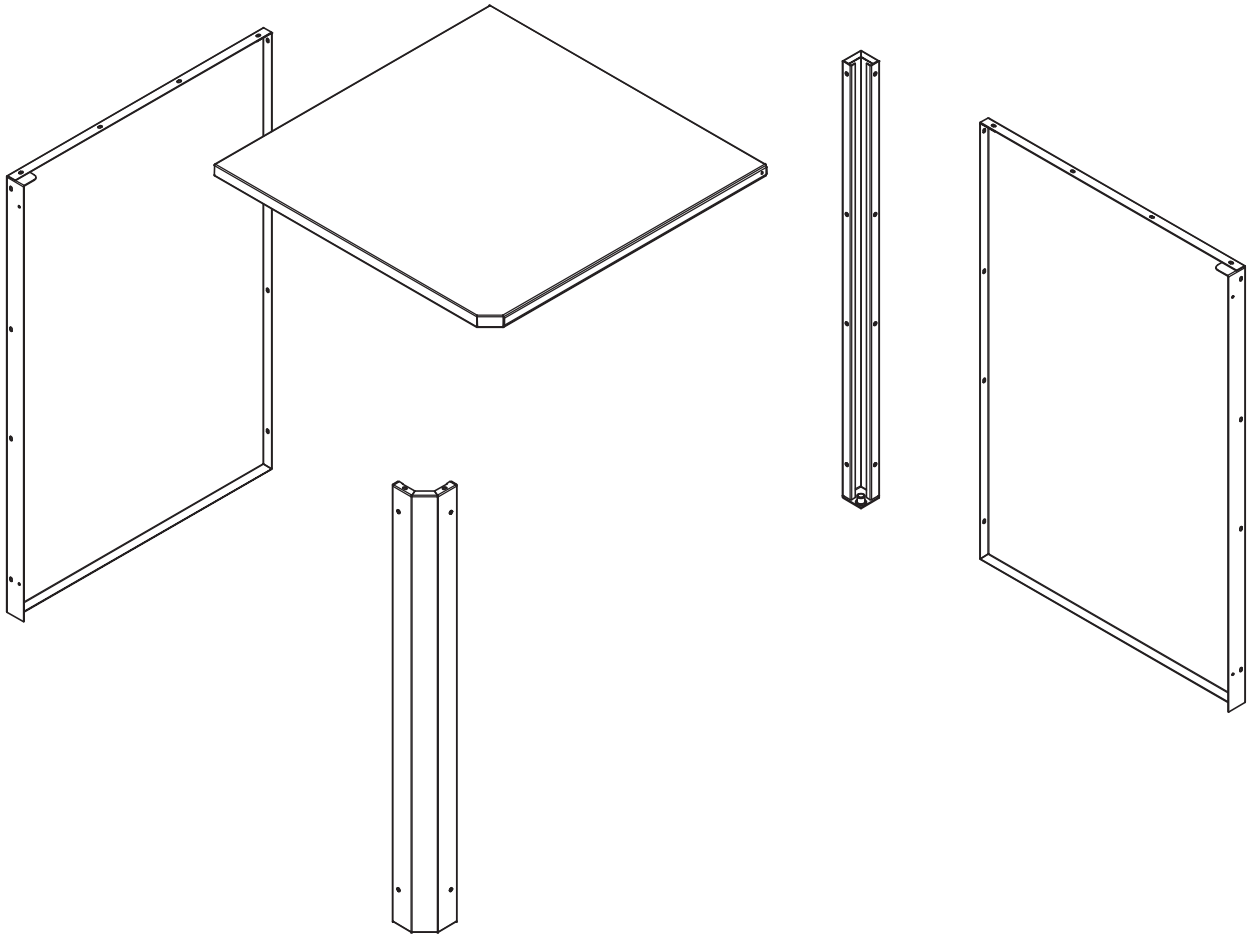
BBQ2000213



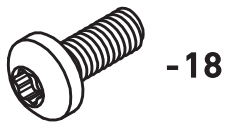
10



BBQ1100050 CORNER MODULE



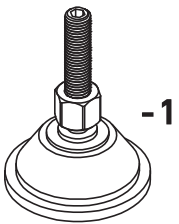
3400759 (BBQ1100500A)



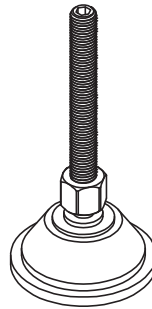
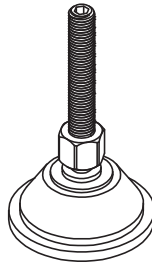
-18



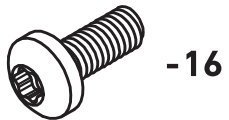
OPTION



-1



3400754 (BBQ1101000A) FOR ALL COUNTER TOPS



-16

TOOLS INCLUDED:



SW5

TOOLS REQUIRED:



Tx20

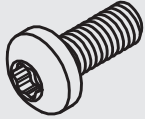
1



Video

<https://youtu.be/Rbb6OPrlw9w?si=KMzsYQK5EiUh9BCe>

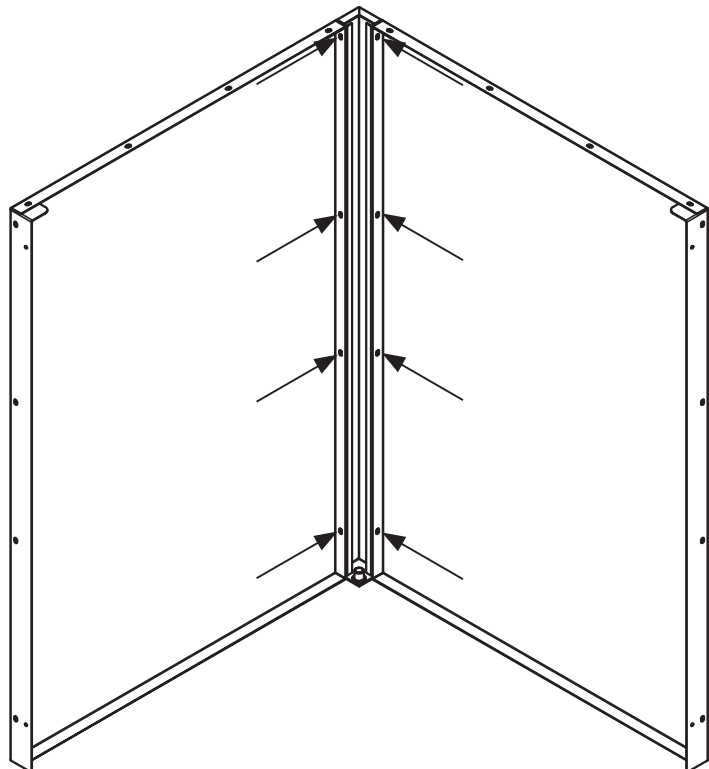
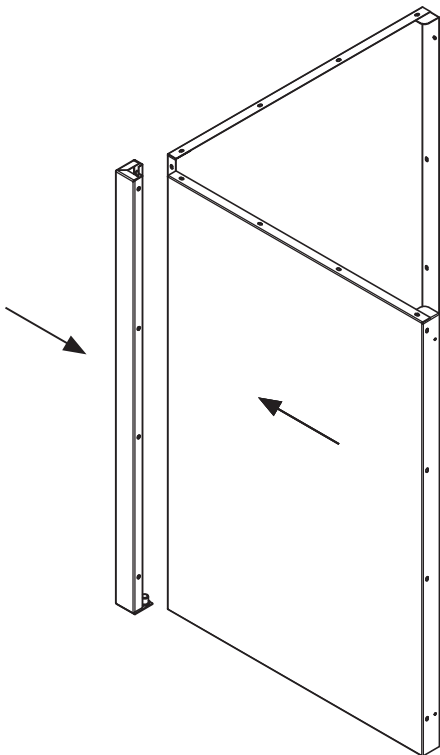
2



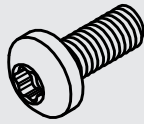
-8



Tx20



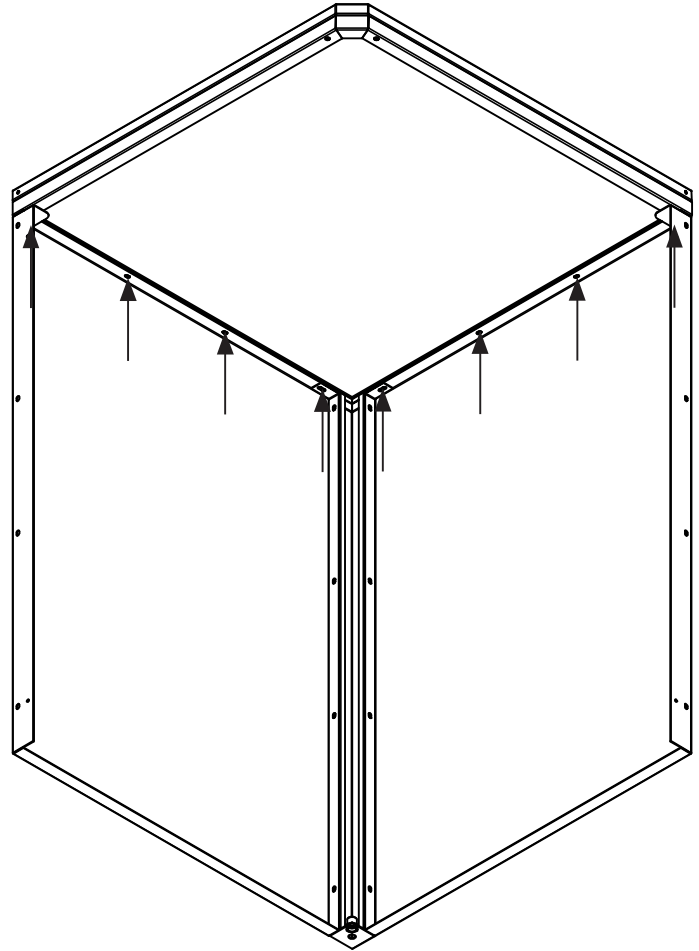
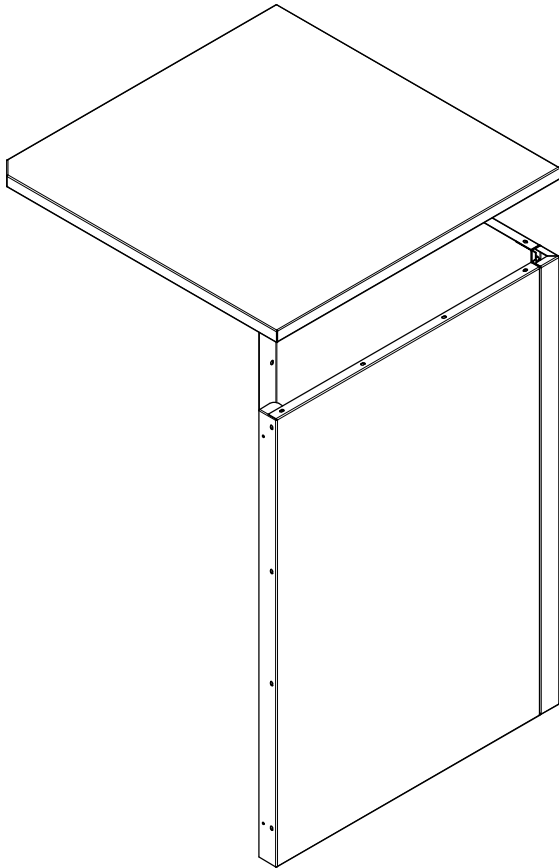
3



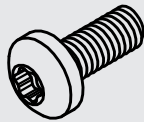
-8



Tx20



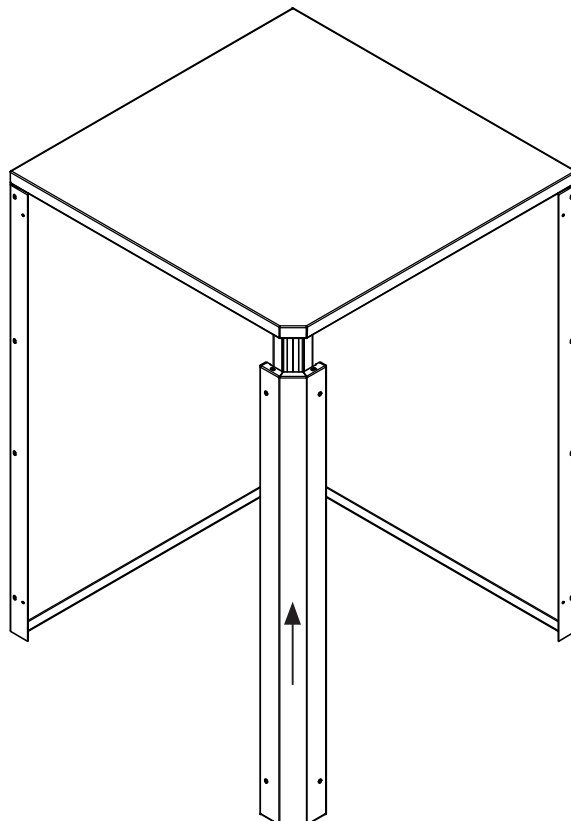
4



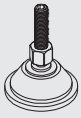
-2



Tx20



5



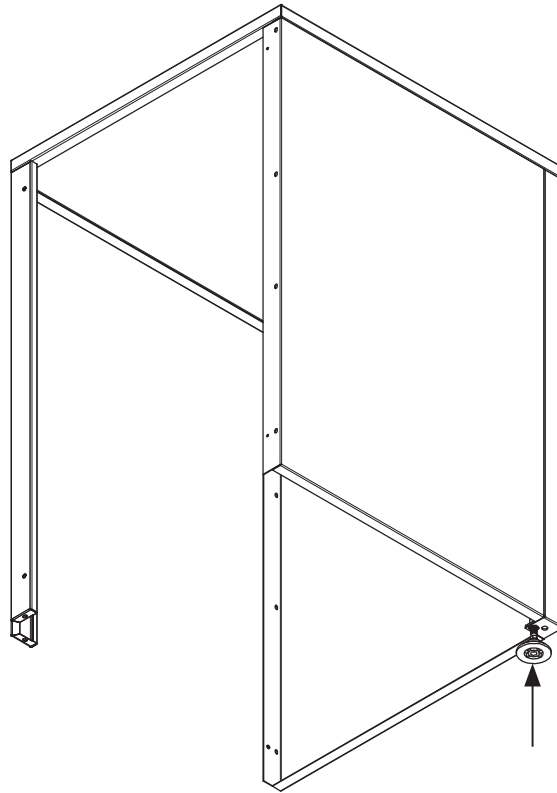
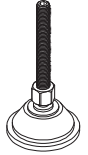
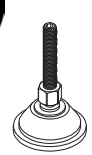
-1



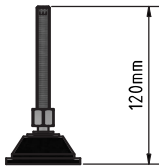
SW5



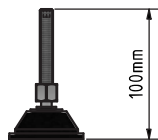
OPTION



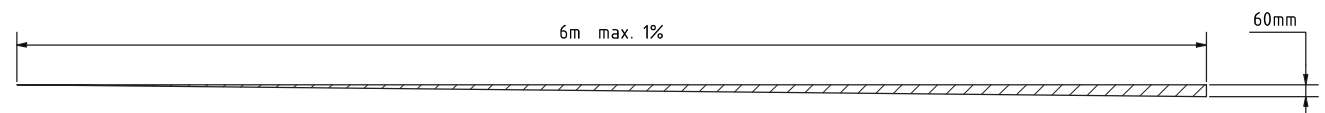
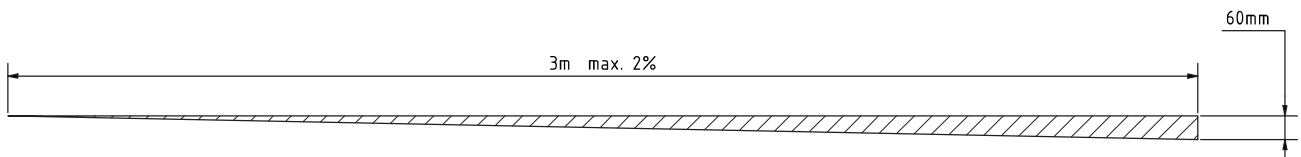
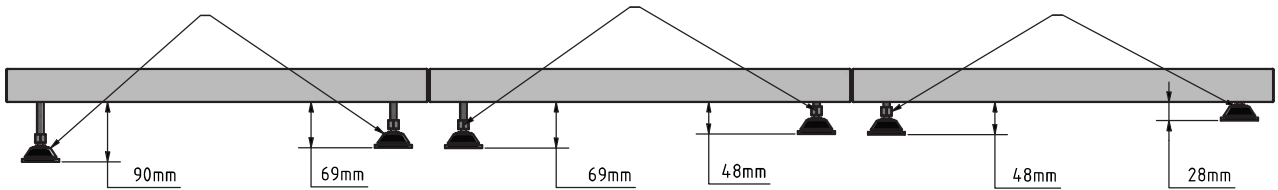
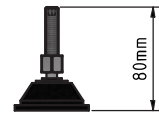
BBQ2000128



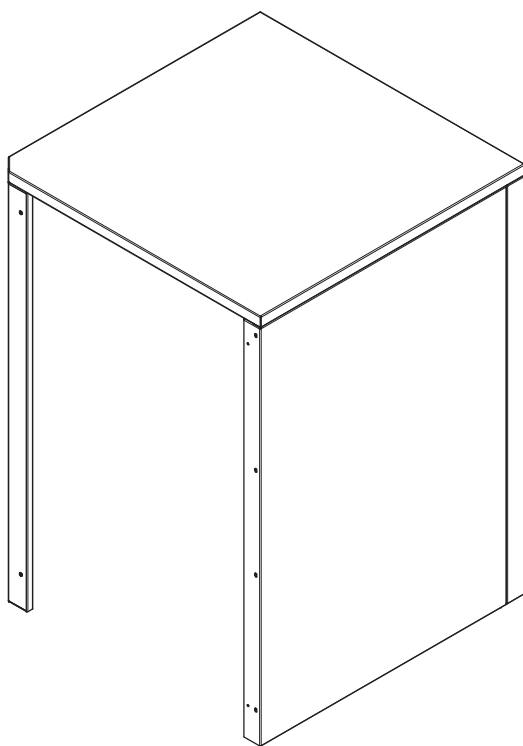
BBQ2000106



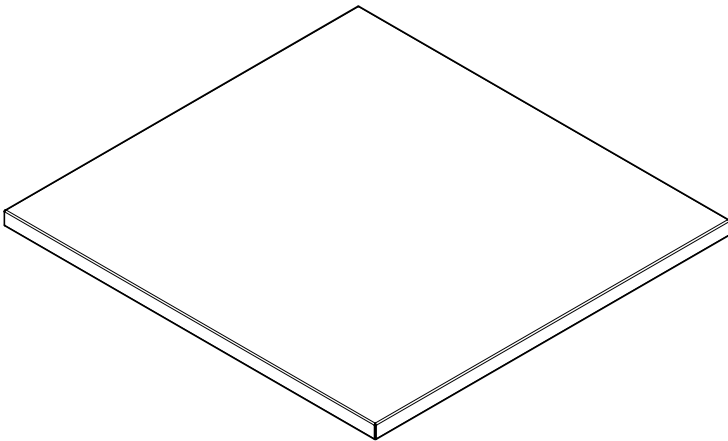
BBQ2000213



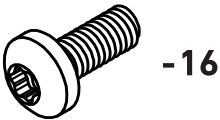
6



3400542 (BBQ1001000S) COUNTER TOP STAINLESS STEEL, CLOSED, INCL. SCREW KIT



3400754 (BBQ1101000A)



TOOLS REQUIRED:



Tx20

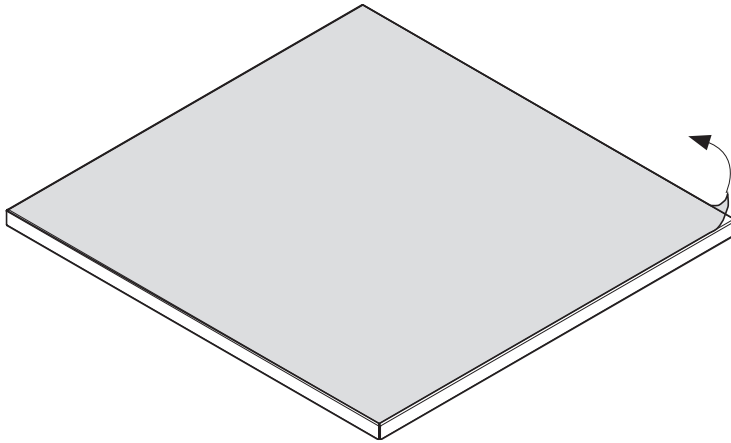
1



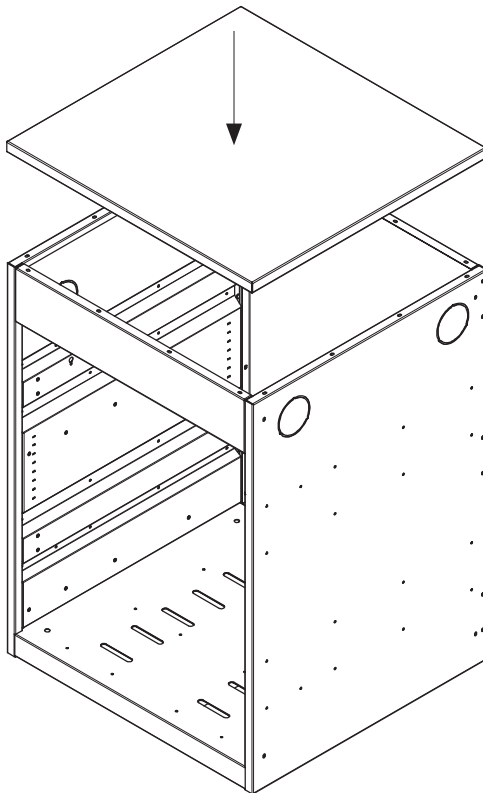
Video

<https://youtu.be/5iNTLWHO4j0?si=5kBL1uJMuxW9PCwY>

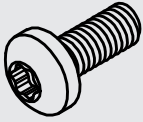
2



3



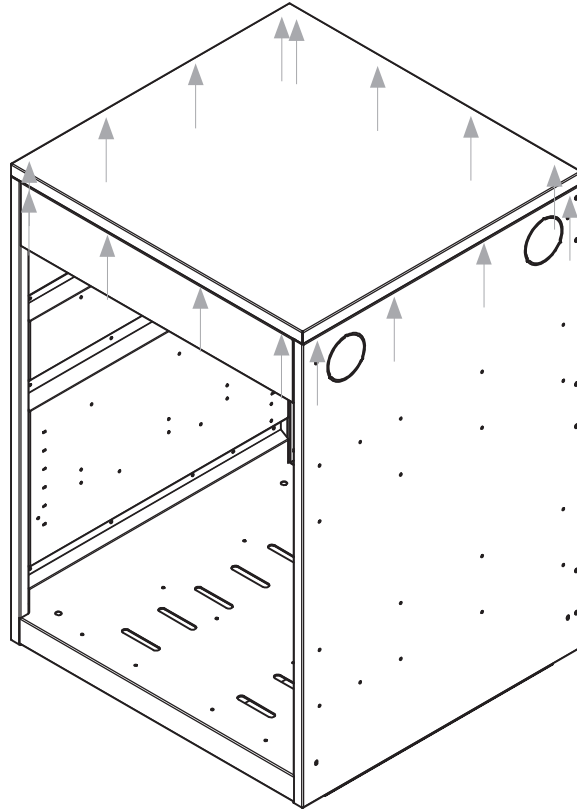
4



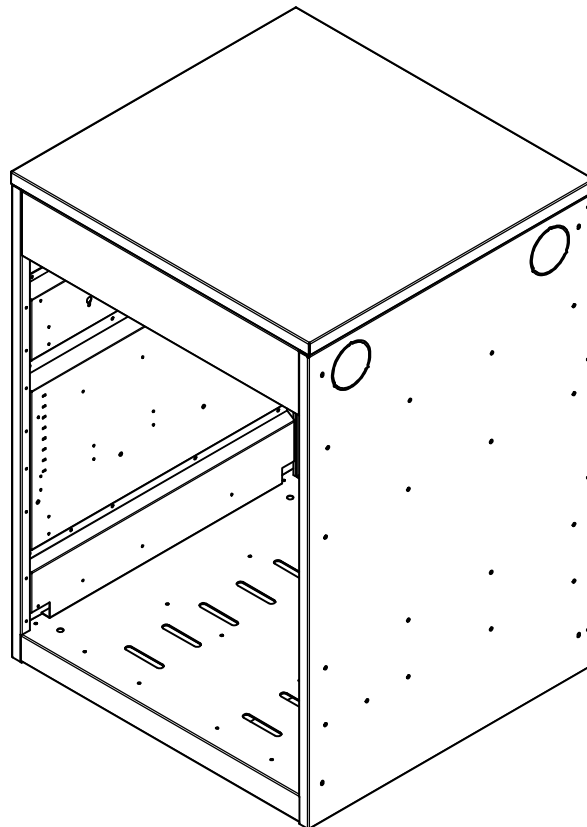
-16



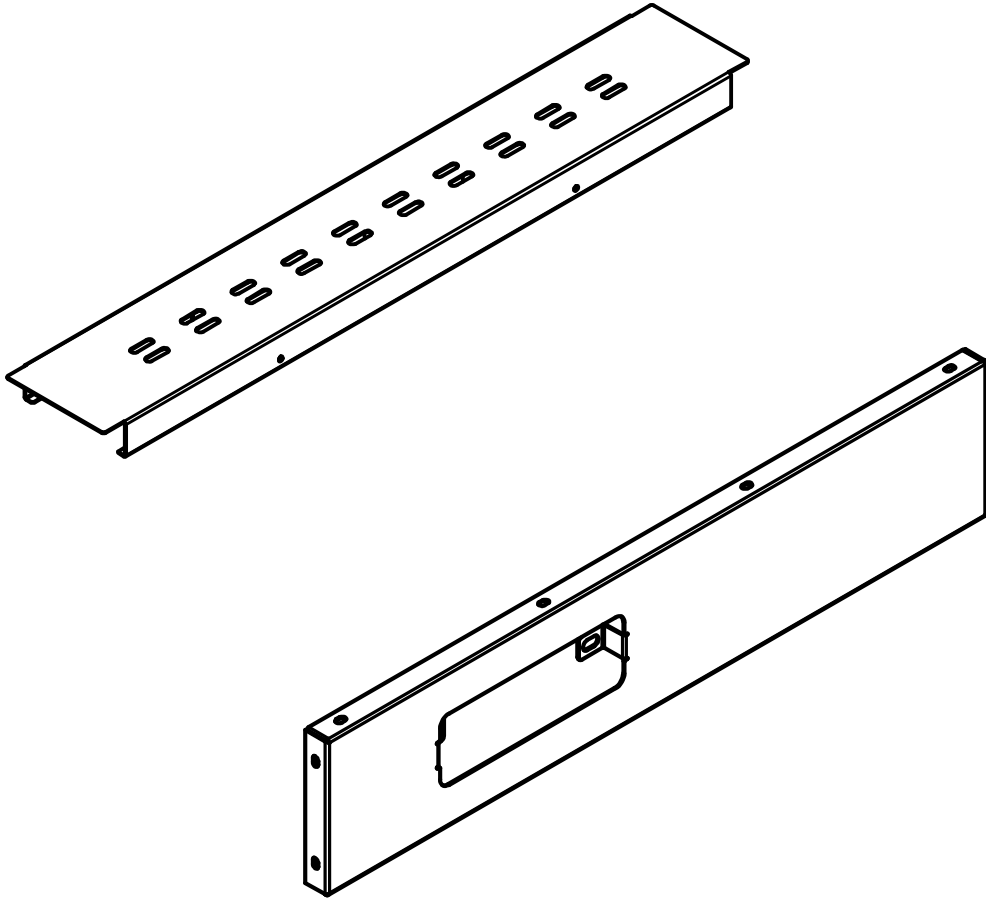
Tx20



5



BBQ2000221 CONNECT KIT



3400741 (BBQ2000268)



-4

TOOLS REQUIRED:



Tx20

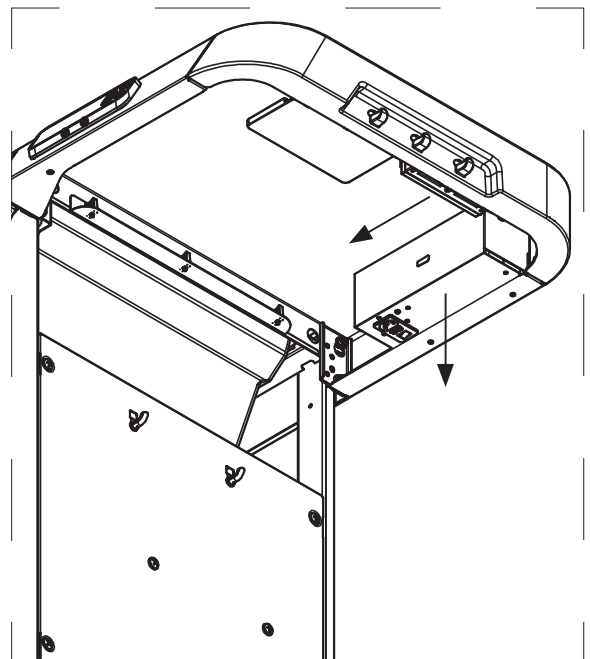
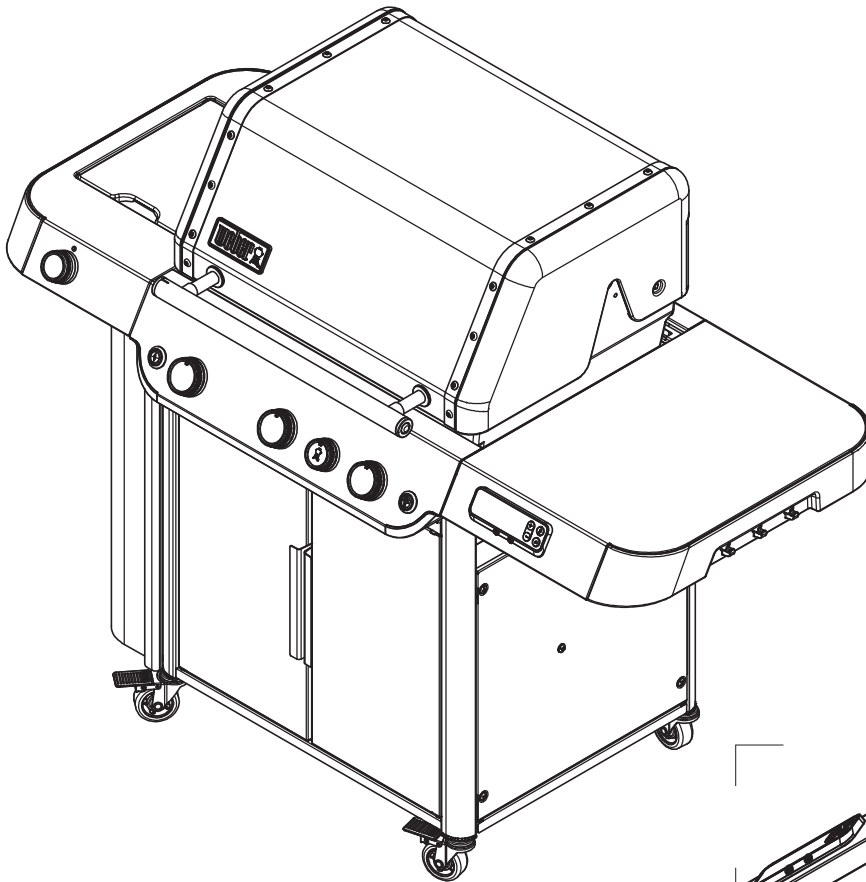
1



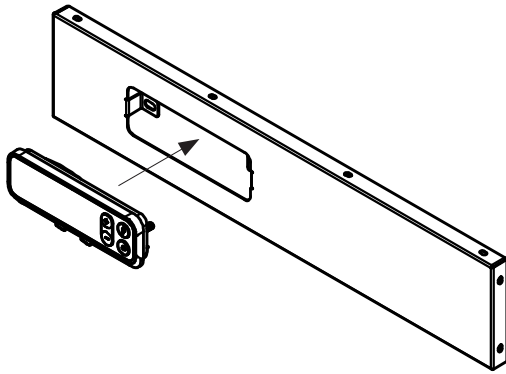
Video

<https://youtu.be/QMwXWktPVN0?si=iuajvqGlpYmG-ZZ9>

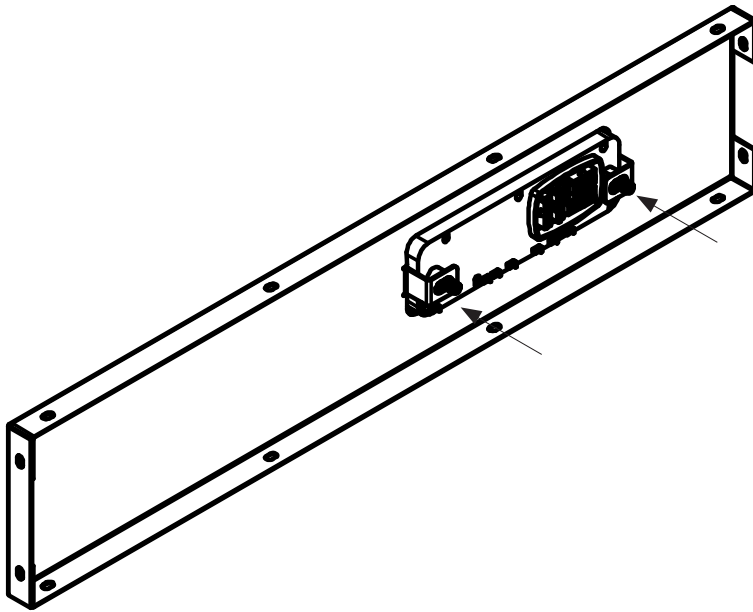
2



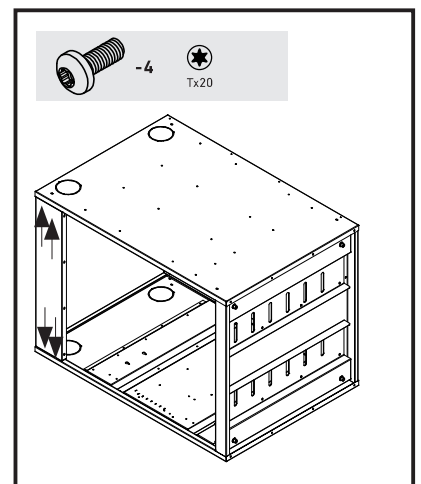
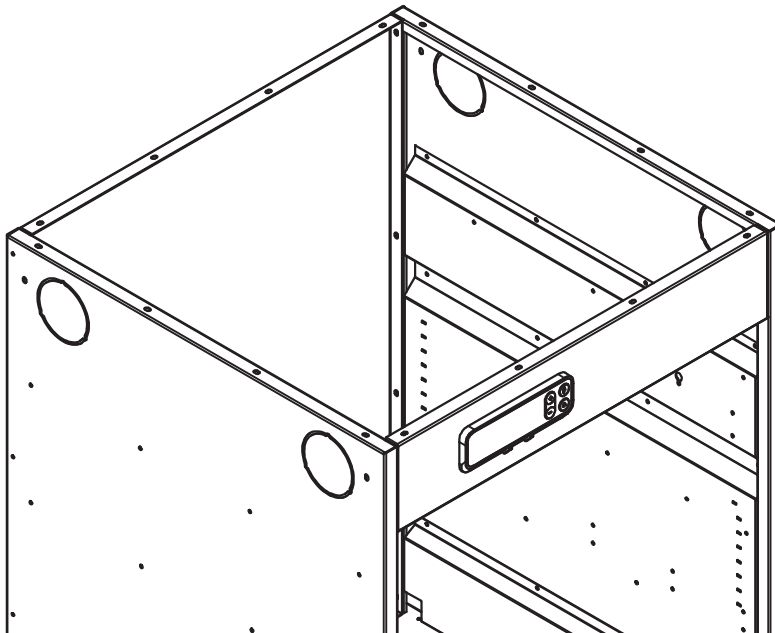
3



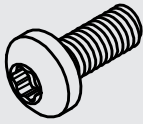
4



5



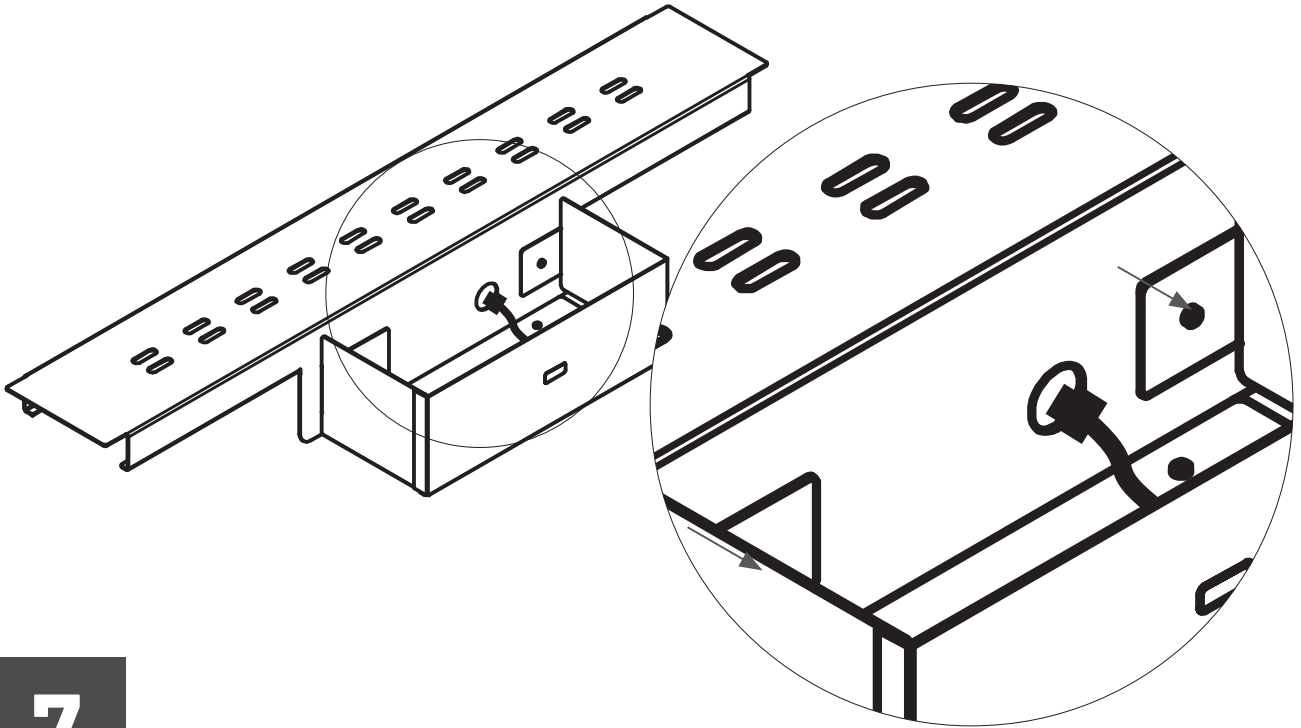
6



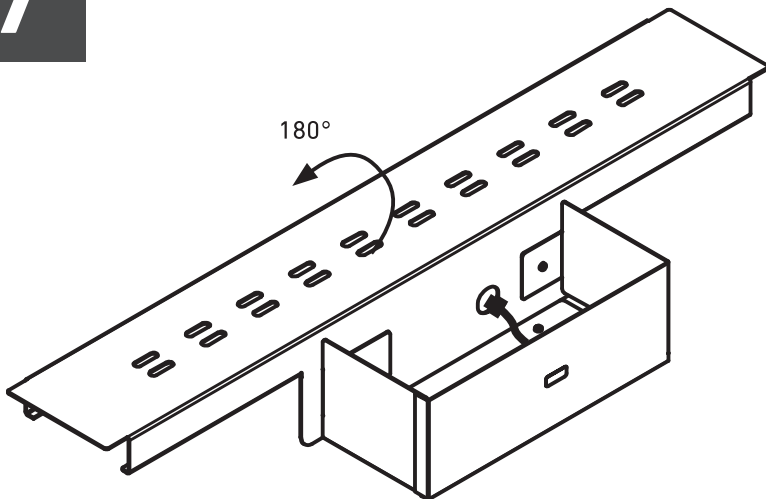
-2



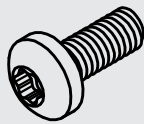
Tx20



7



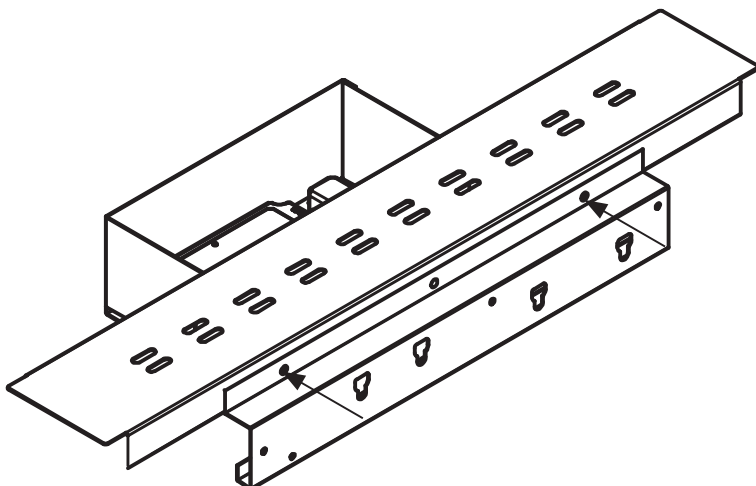
8



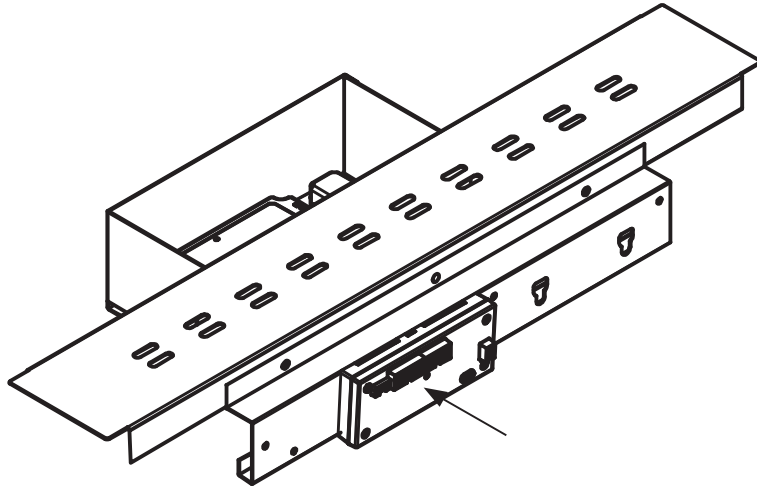
-2



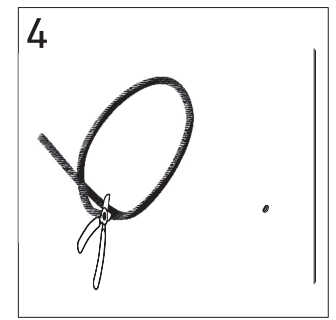
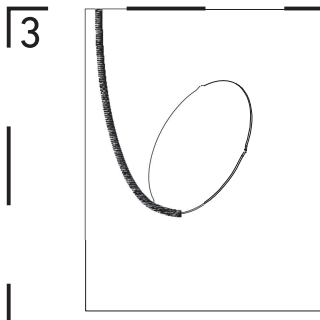
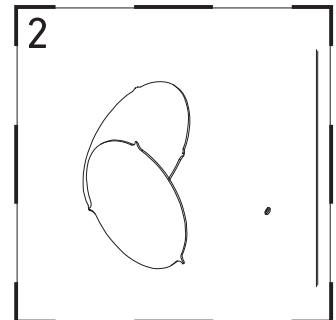
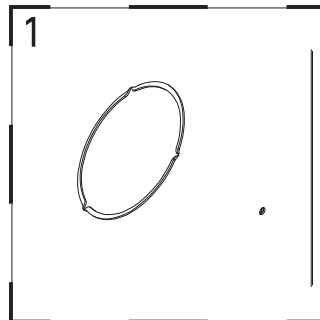
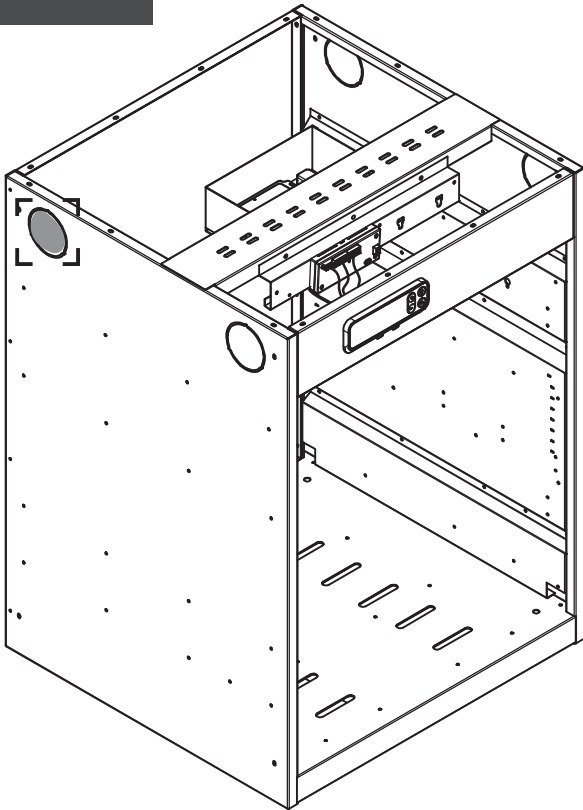
Tx20



9



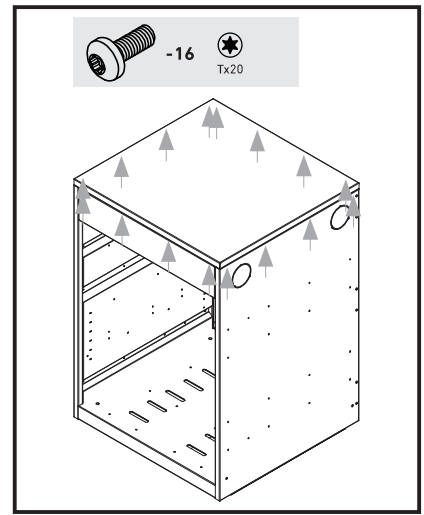
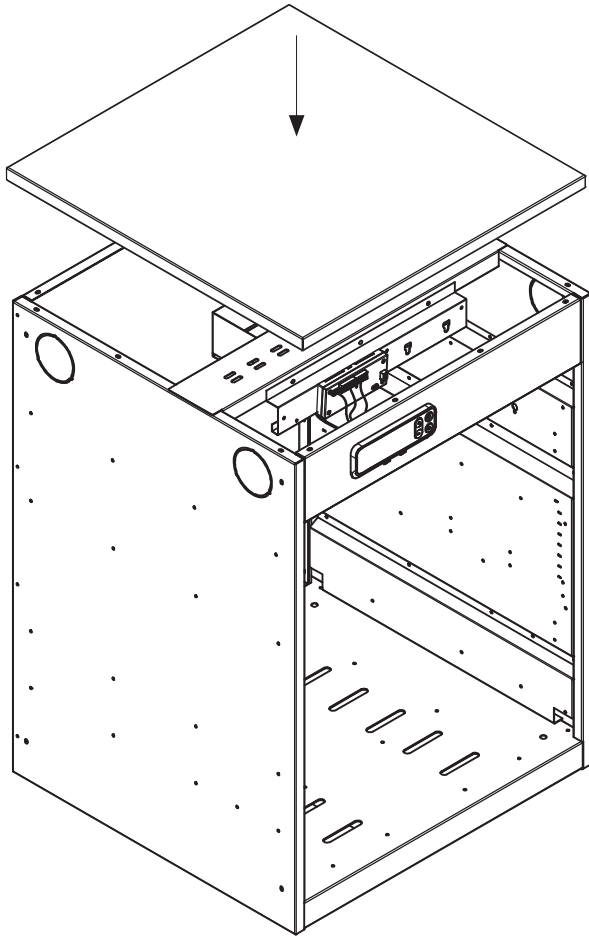
10



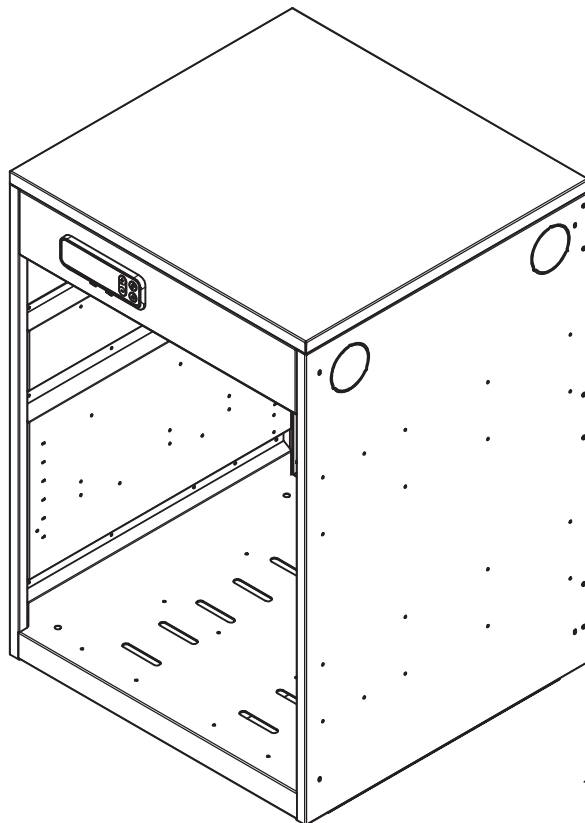
Video

<https://www.youtube.com/watch?v=cuC6yThi4W8>

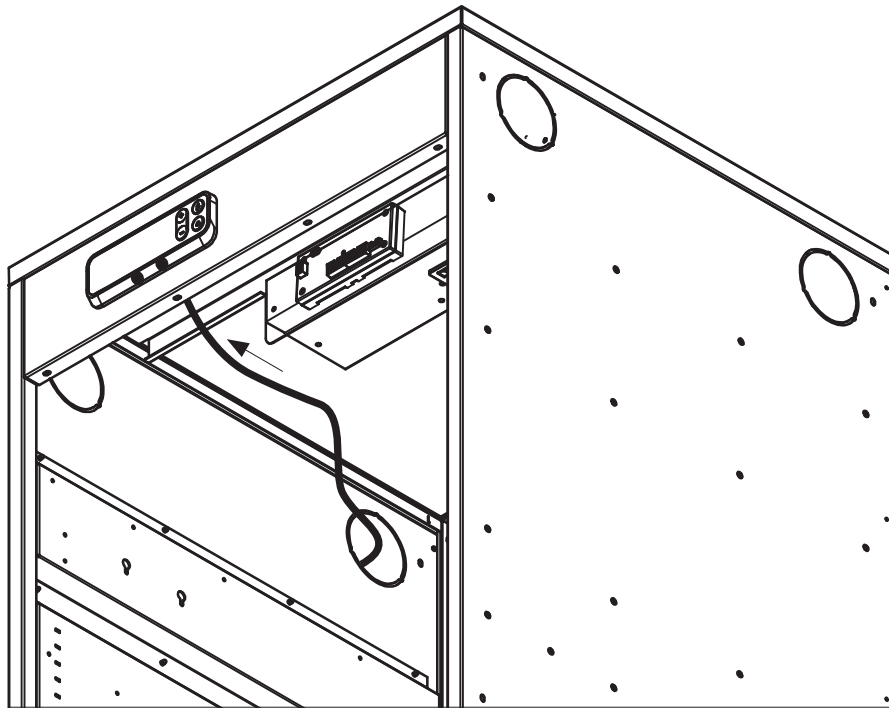
11



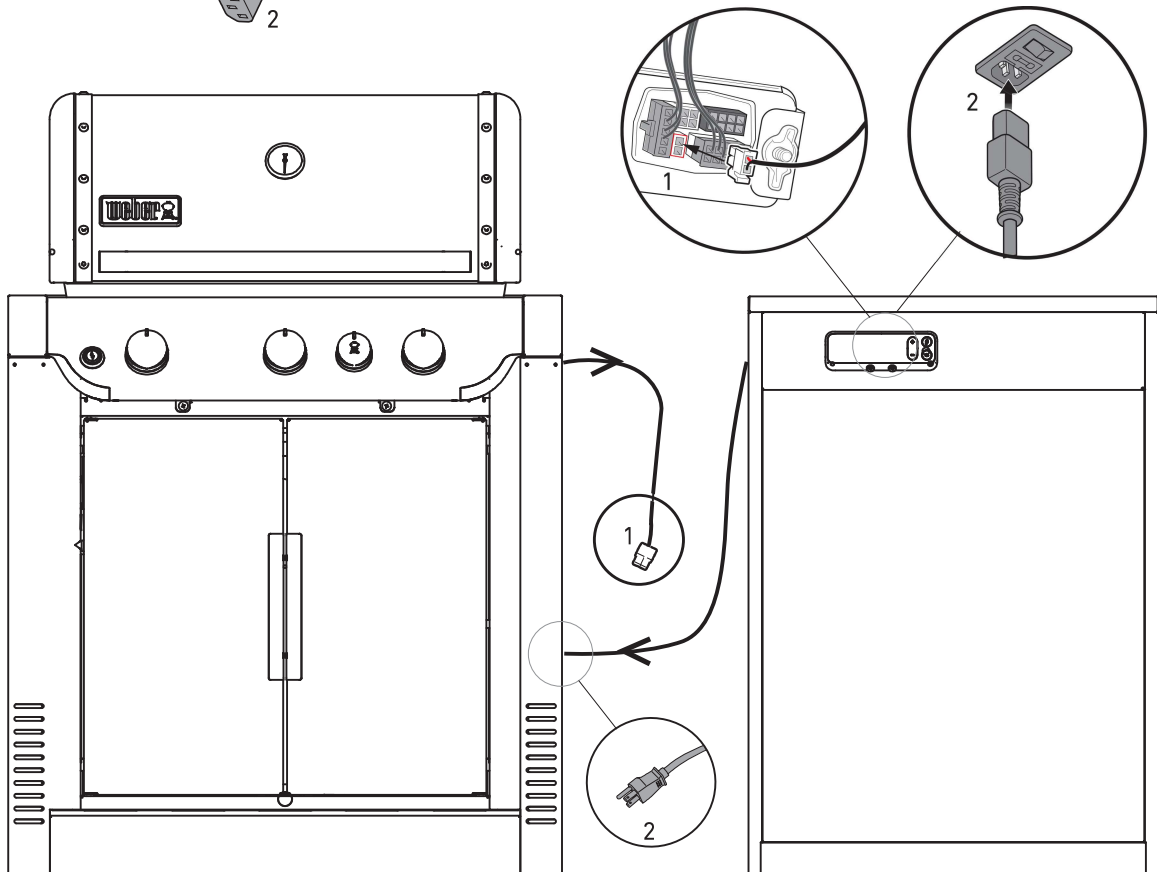
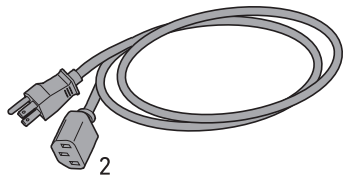
12

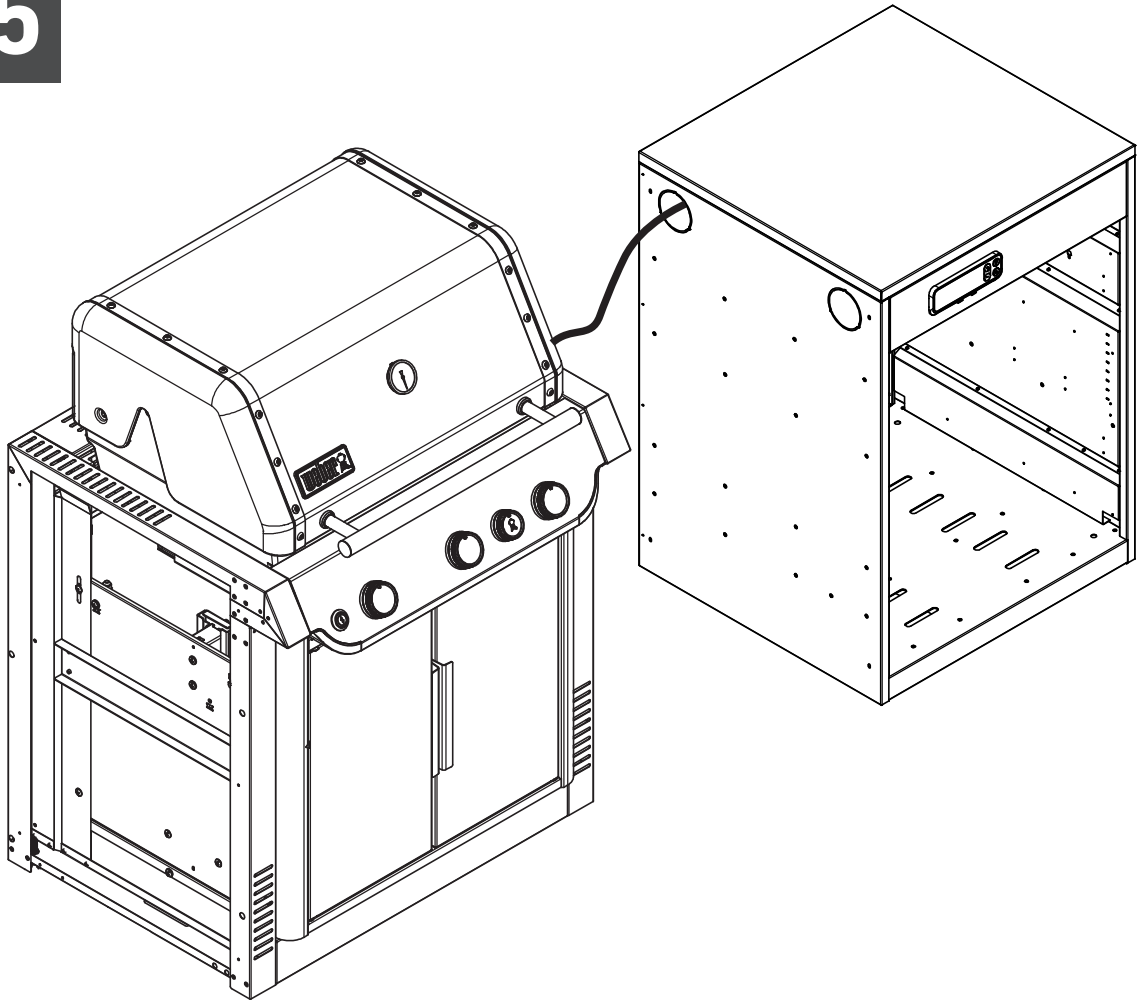


13



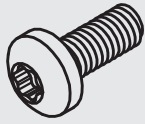
14





CONNECTION OF A BASIC MODULE TO A CONNECTION KIT

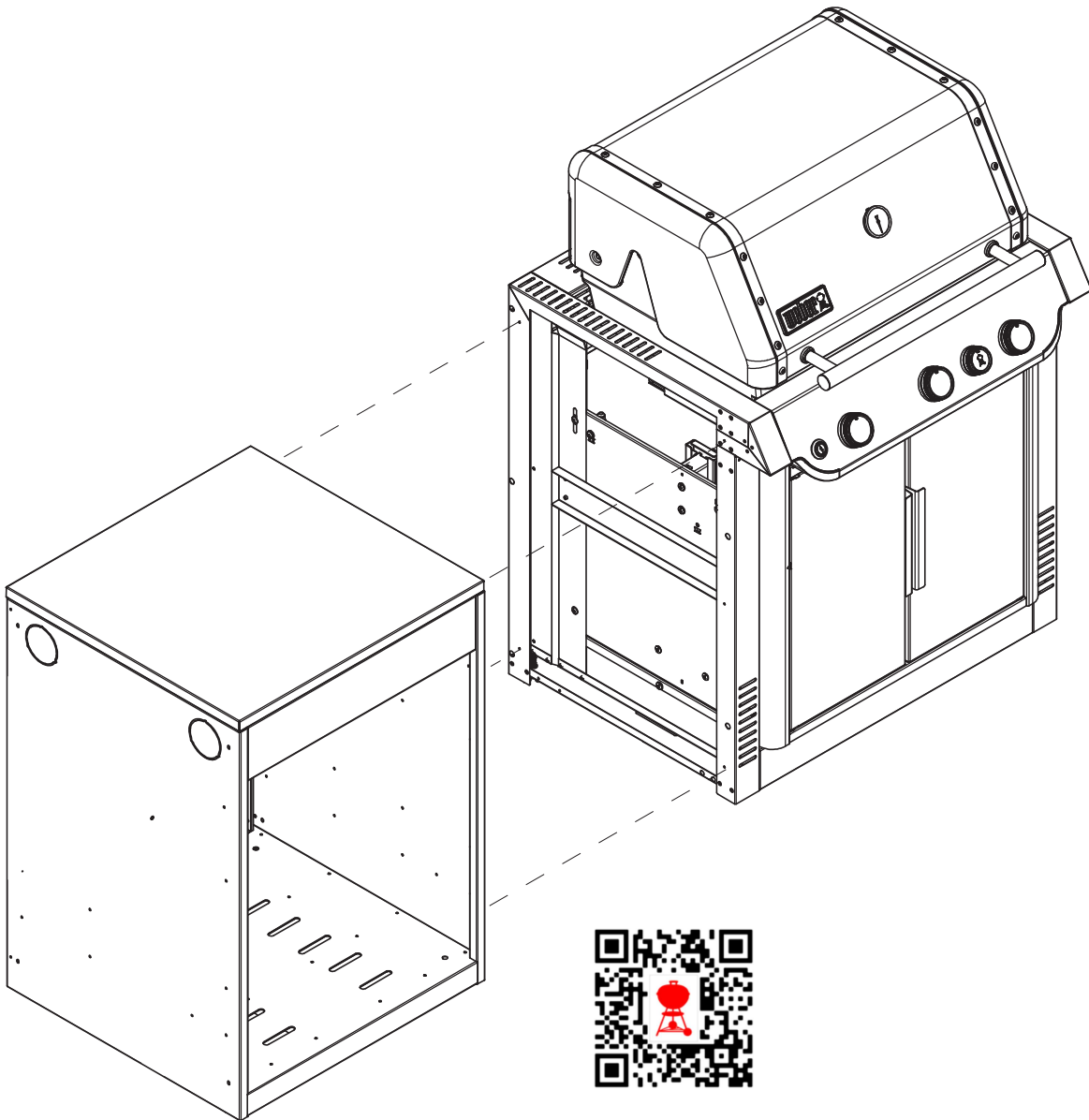
1



-4



Tx20

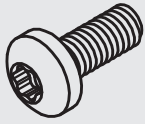


Video

<https://youtu.be/m93Lphn3Kx0?si=oUUB2wEvW8tiiTsX>

CONNECTION OF MULTIPLE BASIC MODULES

2



-4



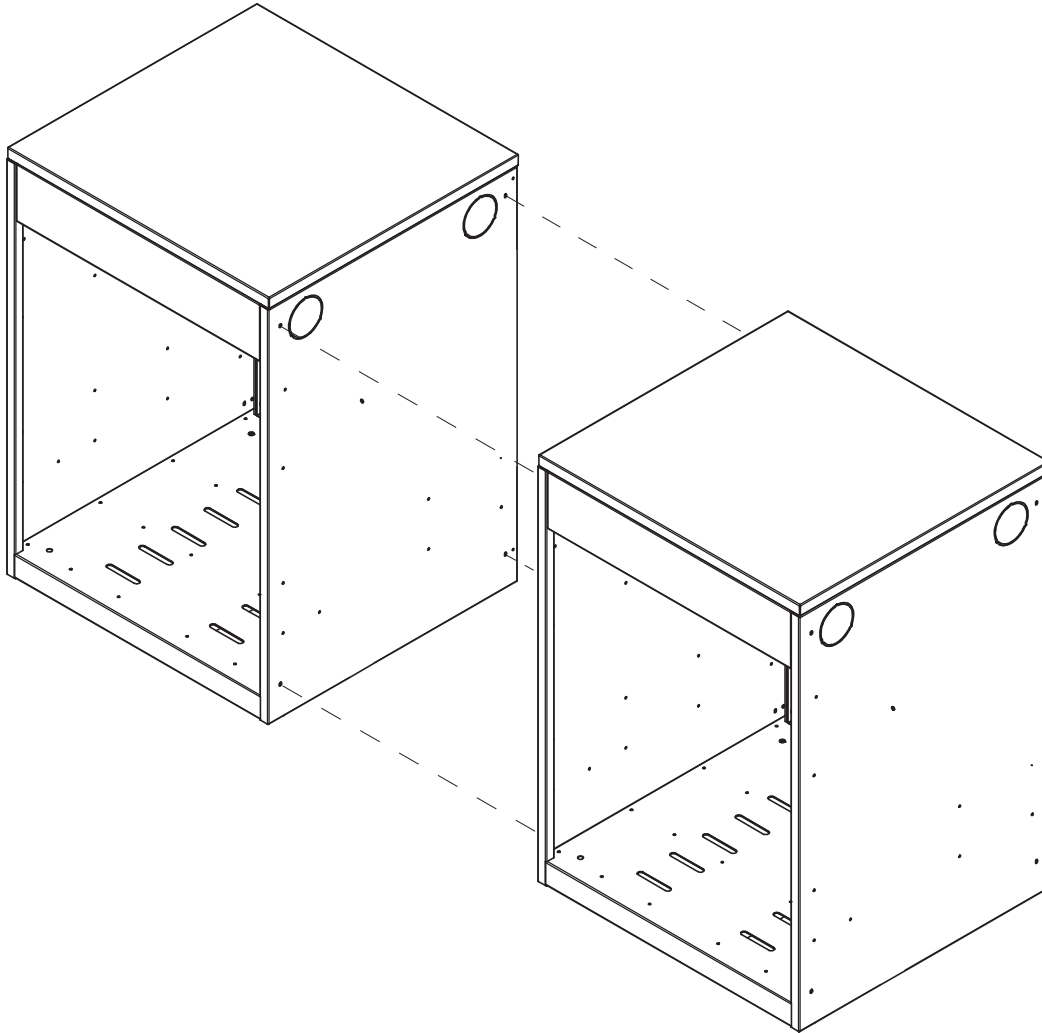
-4



Tx20



SW7

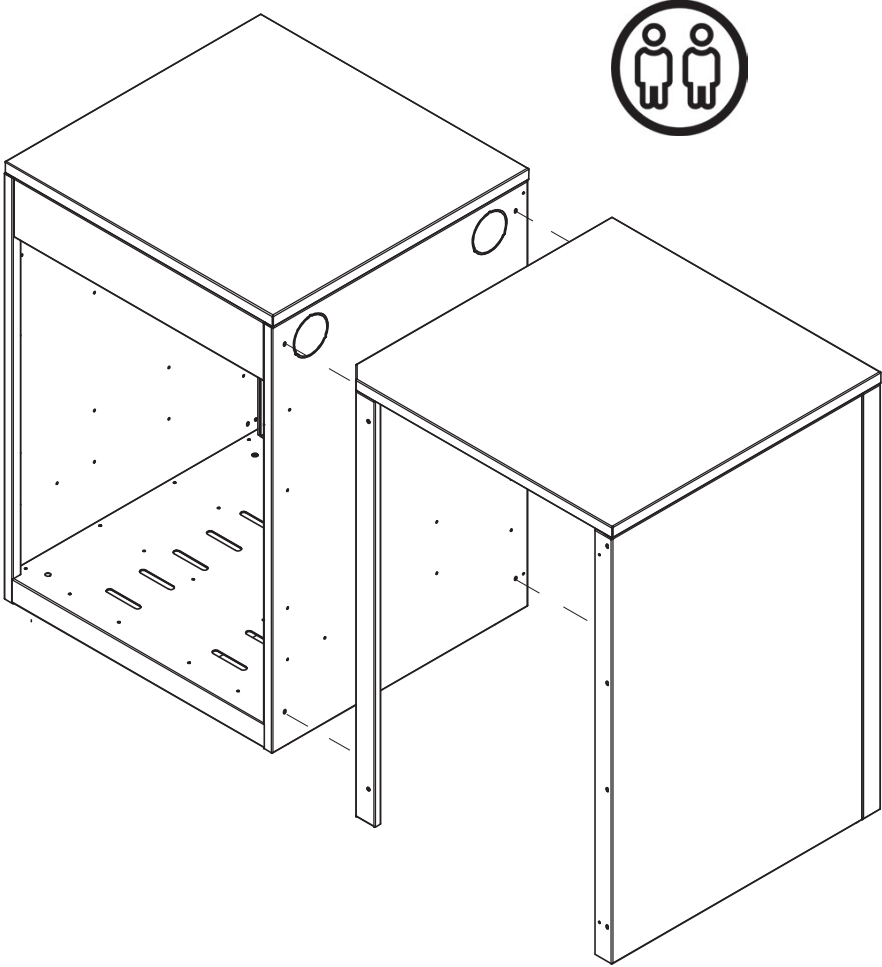


Video

<https://youtu.be/YrWjV9tFn1E?si=DCGgDSG-k000ht97>

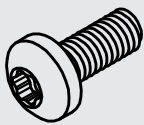
CONNECTION OF A BASIC MODULE TO A CORNER MODULE

3



CONNECTION OF A CORNER MODULE TO MULTIPLE BASIC MODULES

4



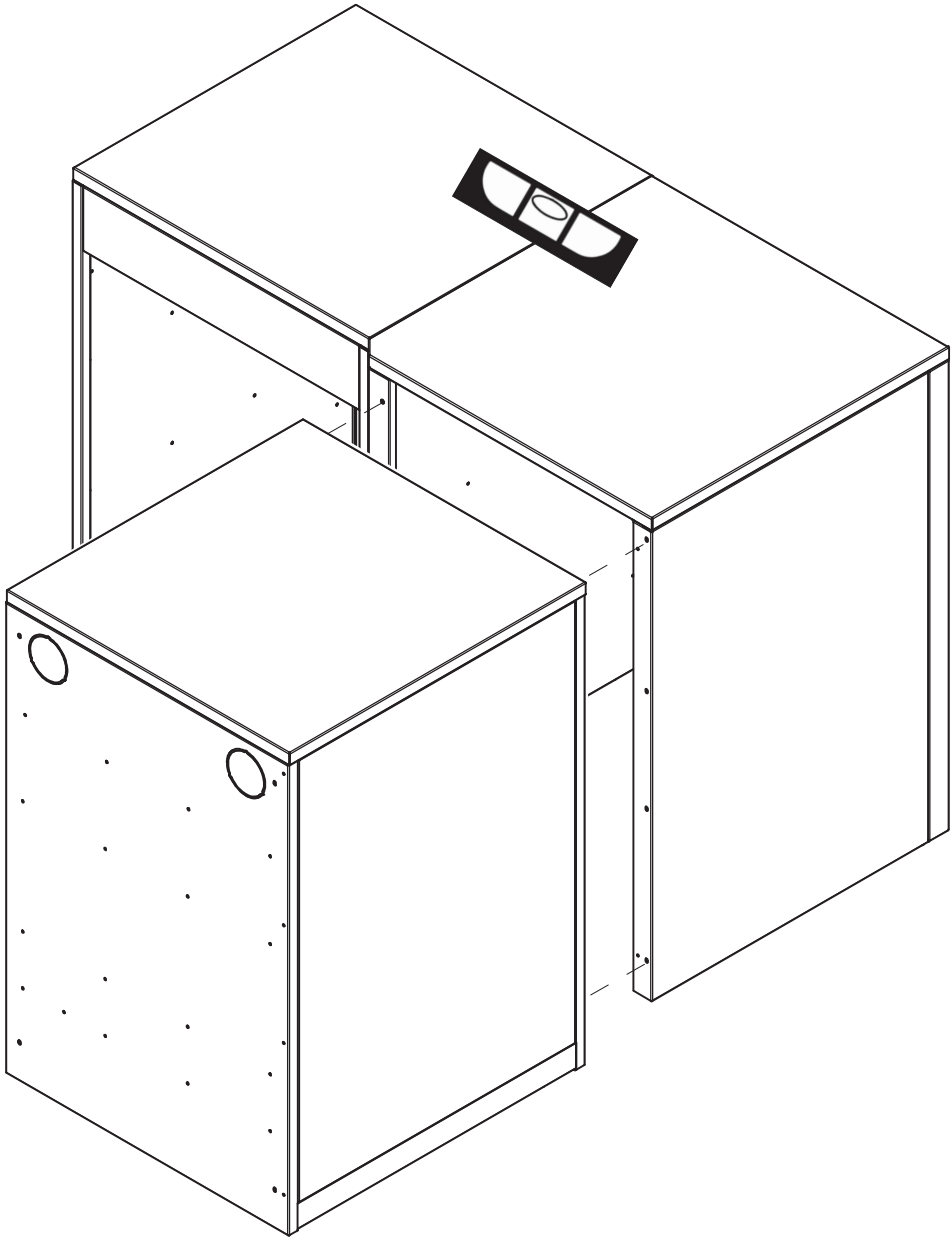
-4



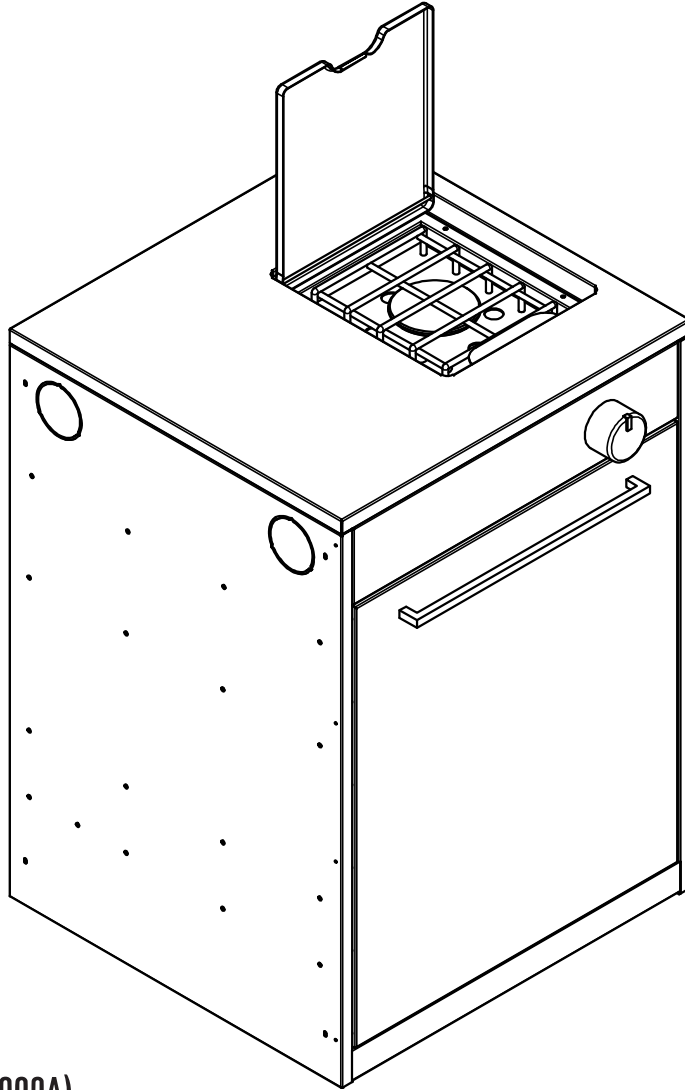
Tx20



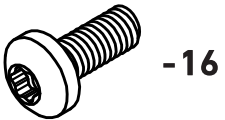
SW5



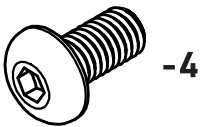
BBQ1100031 SIDE BURNER MODULE GENESIS



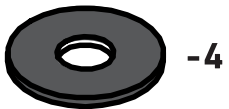
3400738 (BBQ1103000A)



-16



-4



-4

TOOLS REQUIRED:



Tx20



SW3

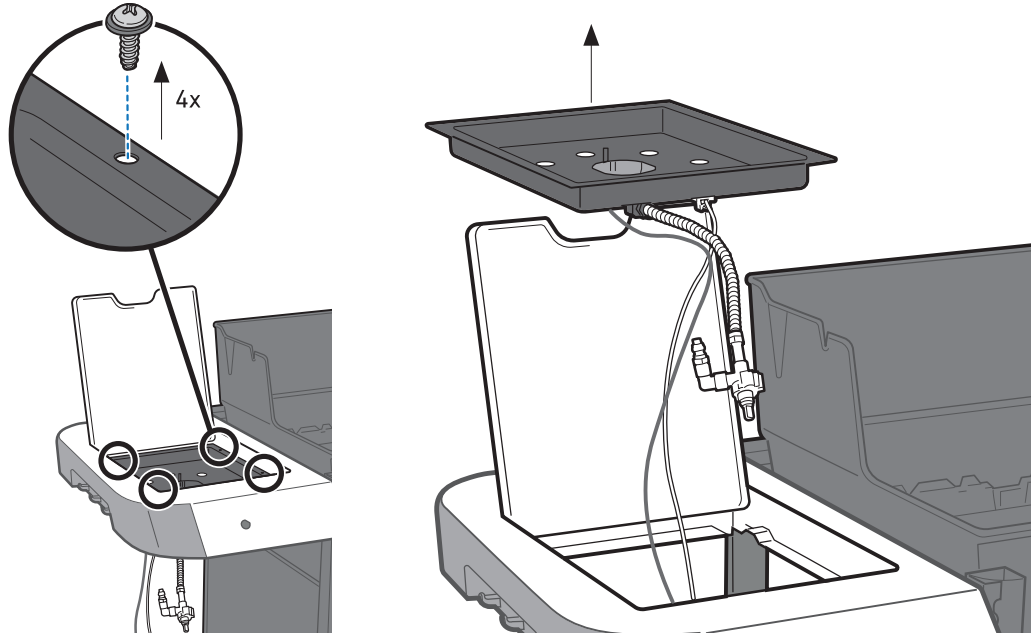
1



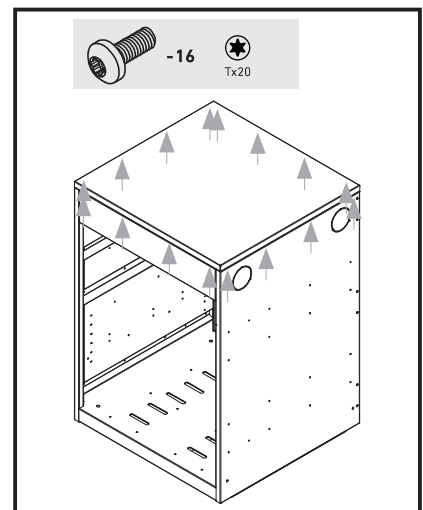
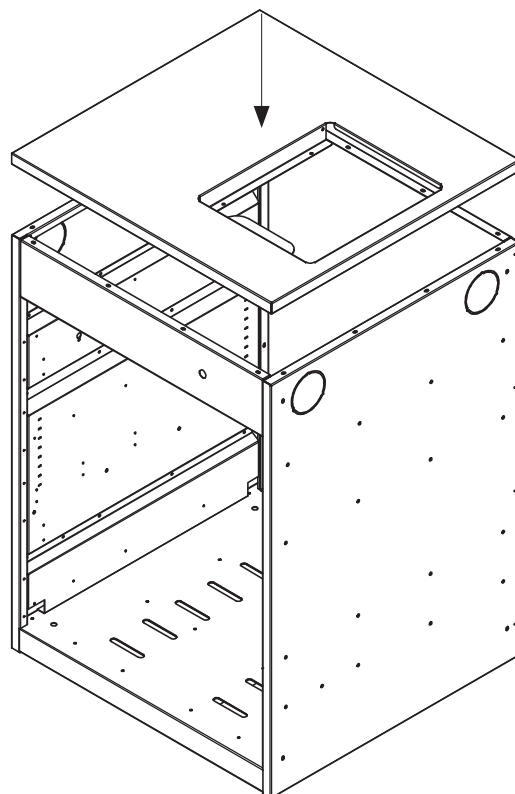
Video

https://youtu.be/nl4bh_xqXOU?si=4q3RiRHeR6Xa3zNo

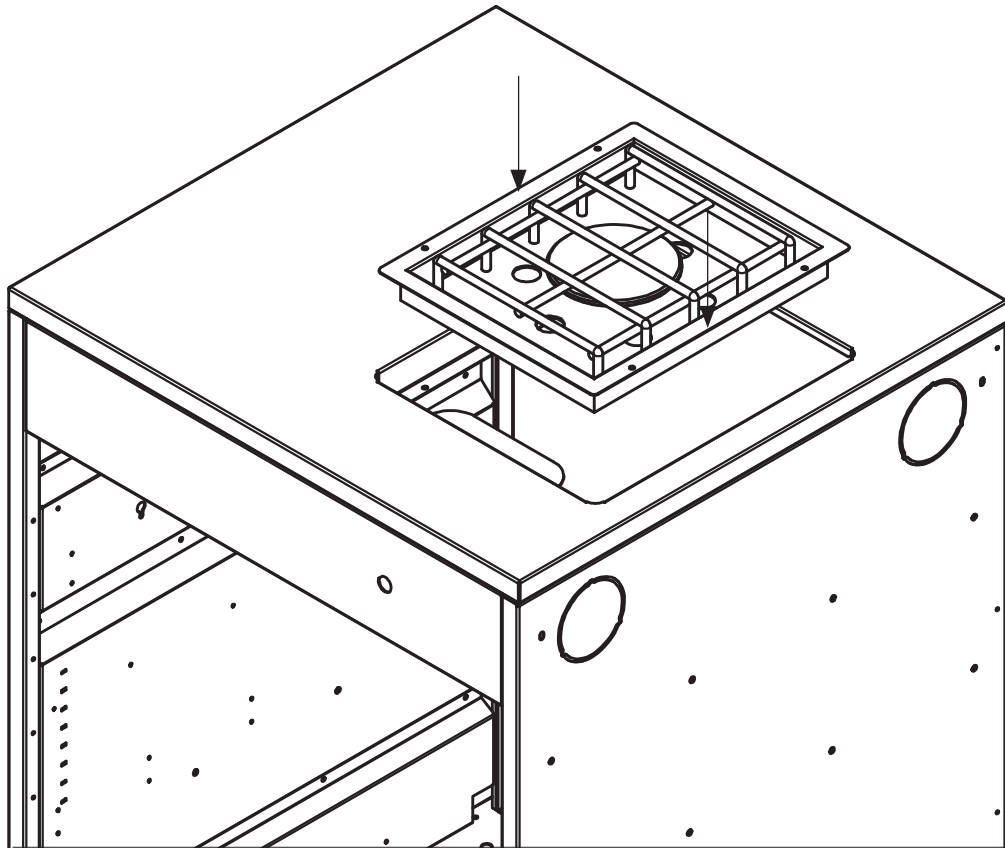
2



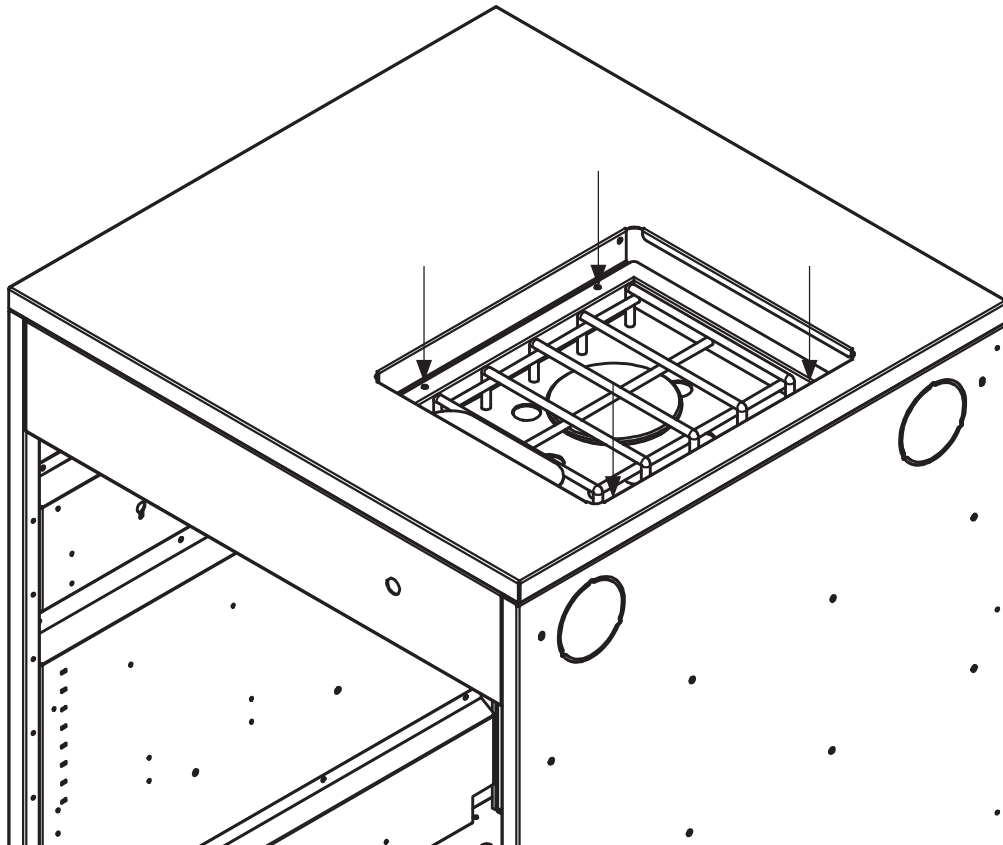
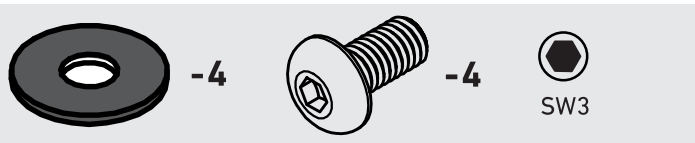
3



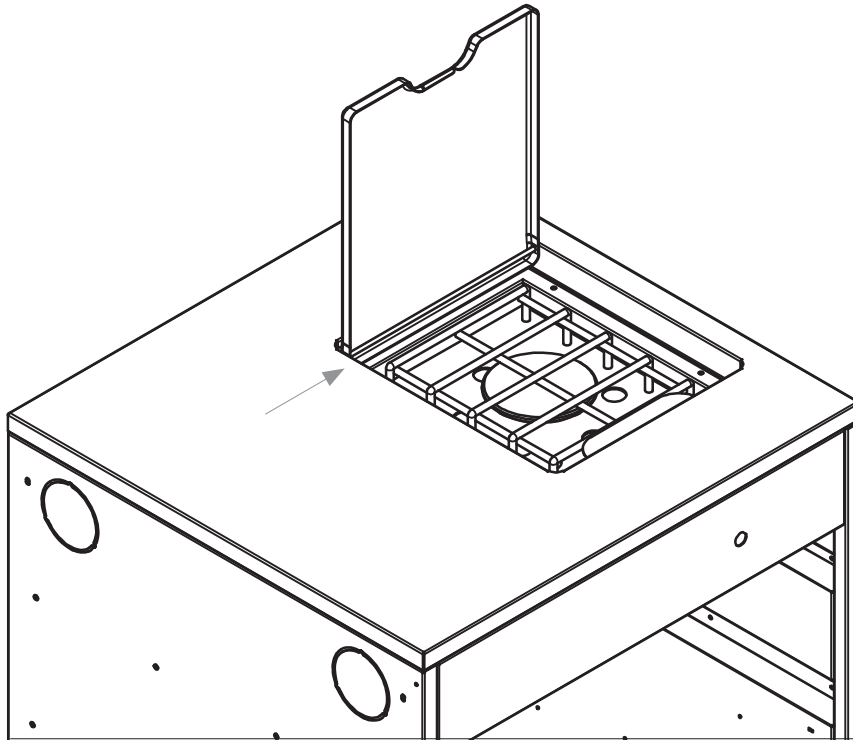
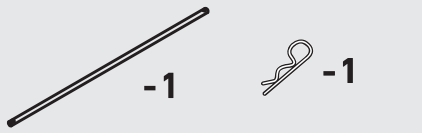
4



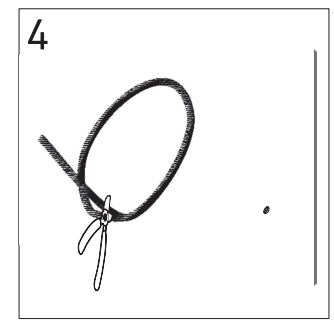
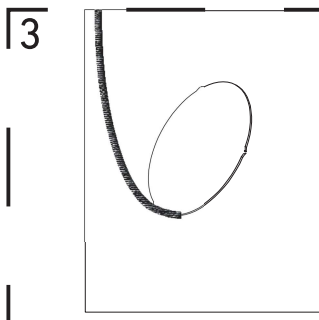
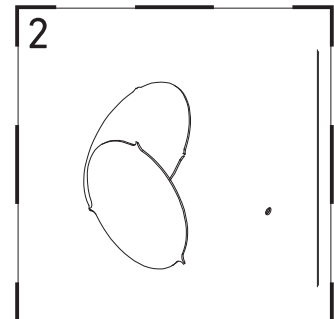
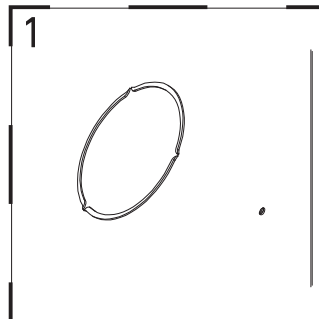
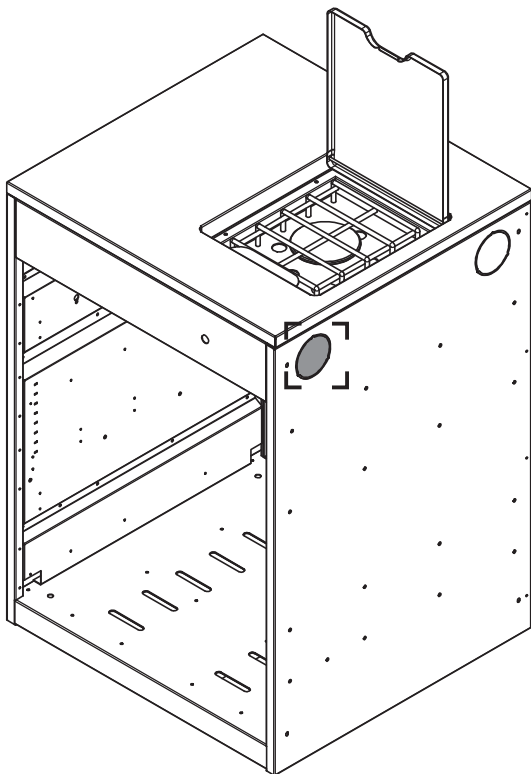
5



6



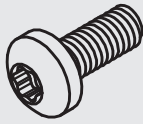
7



Video

<https://www.youtube.com/watch?v=cuC6yThi4W8>

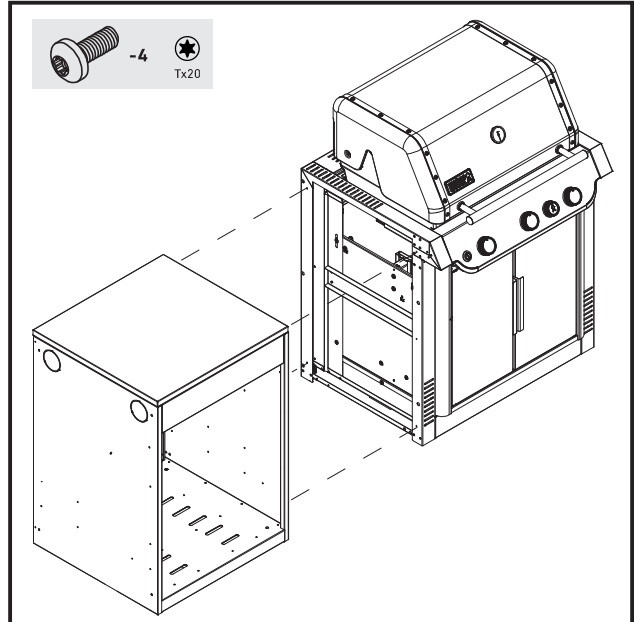
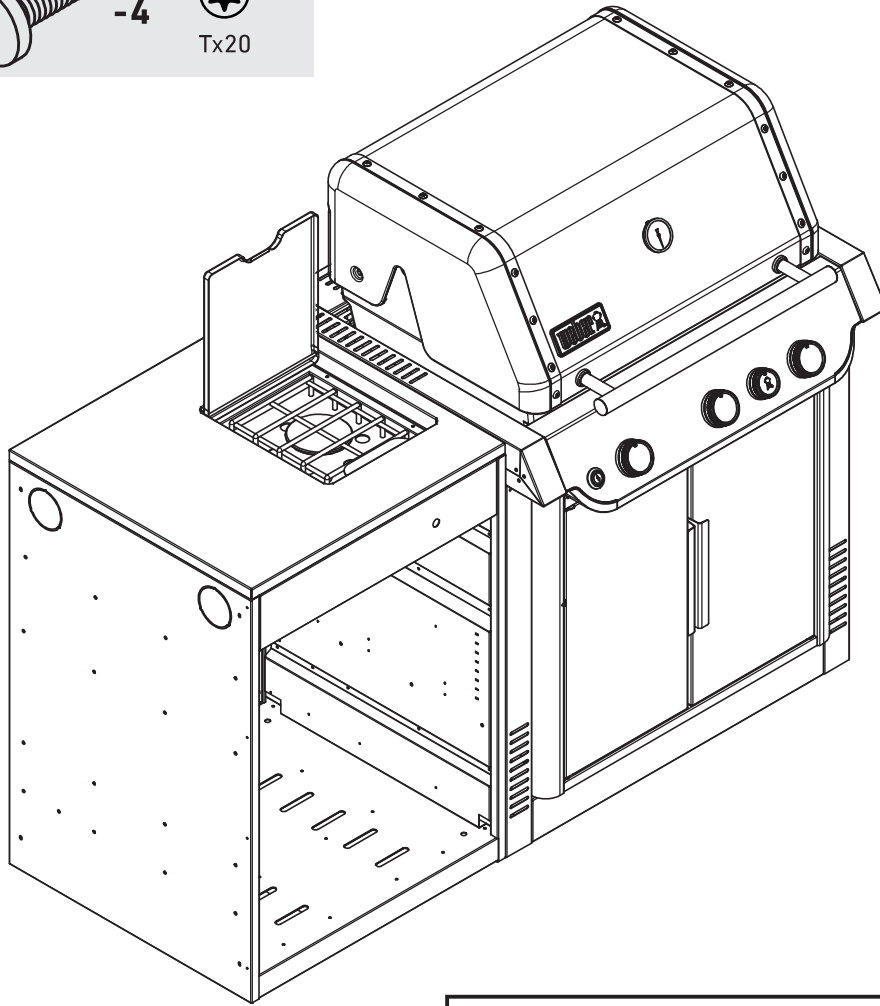
8



-4

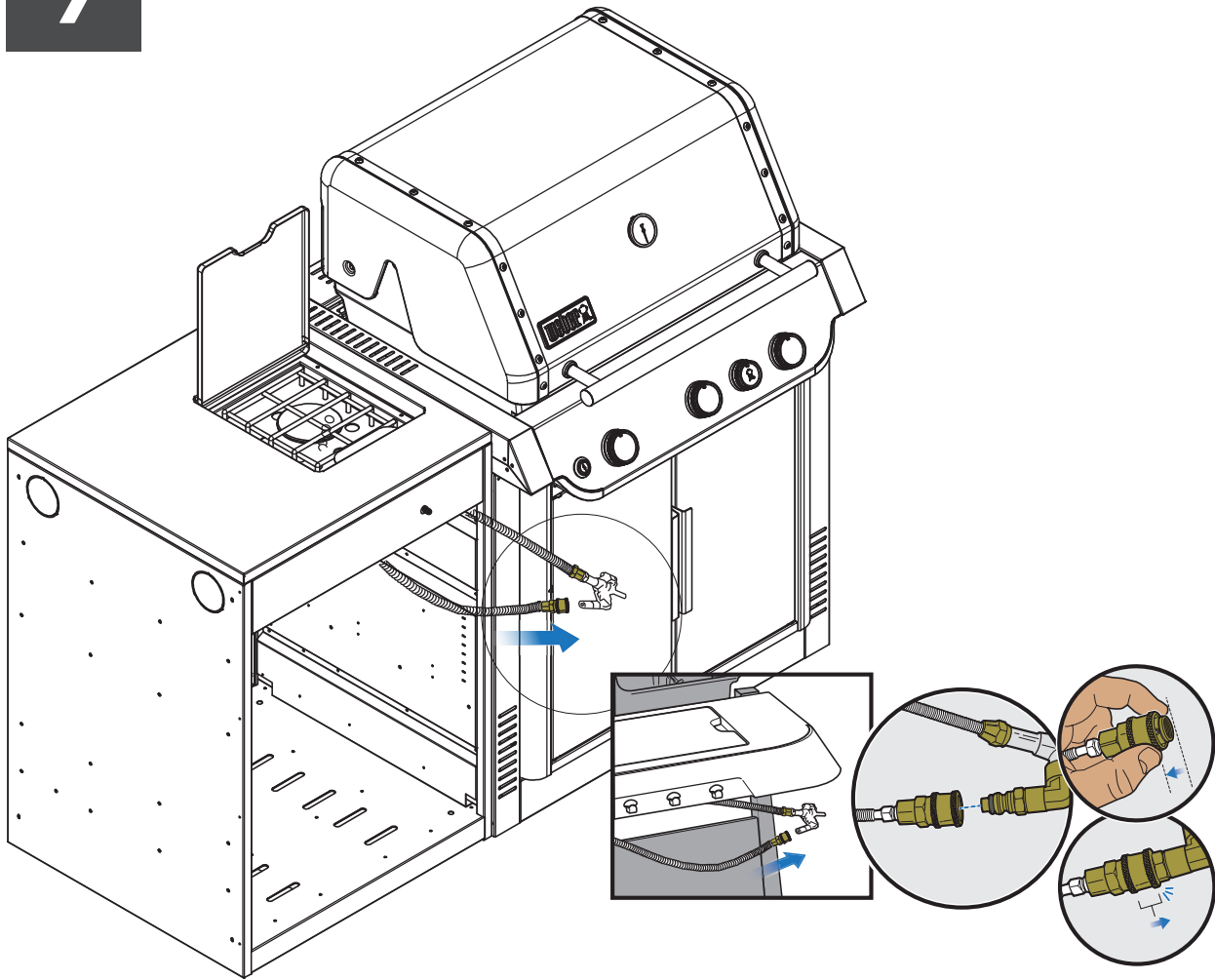


Tx20

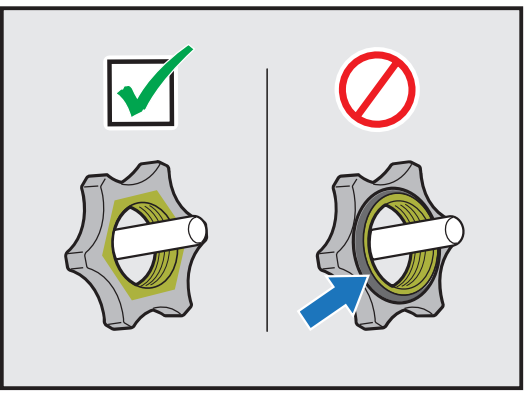
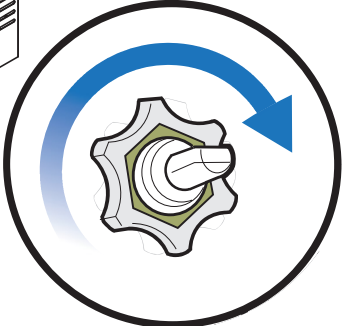
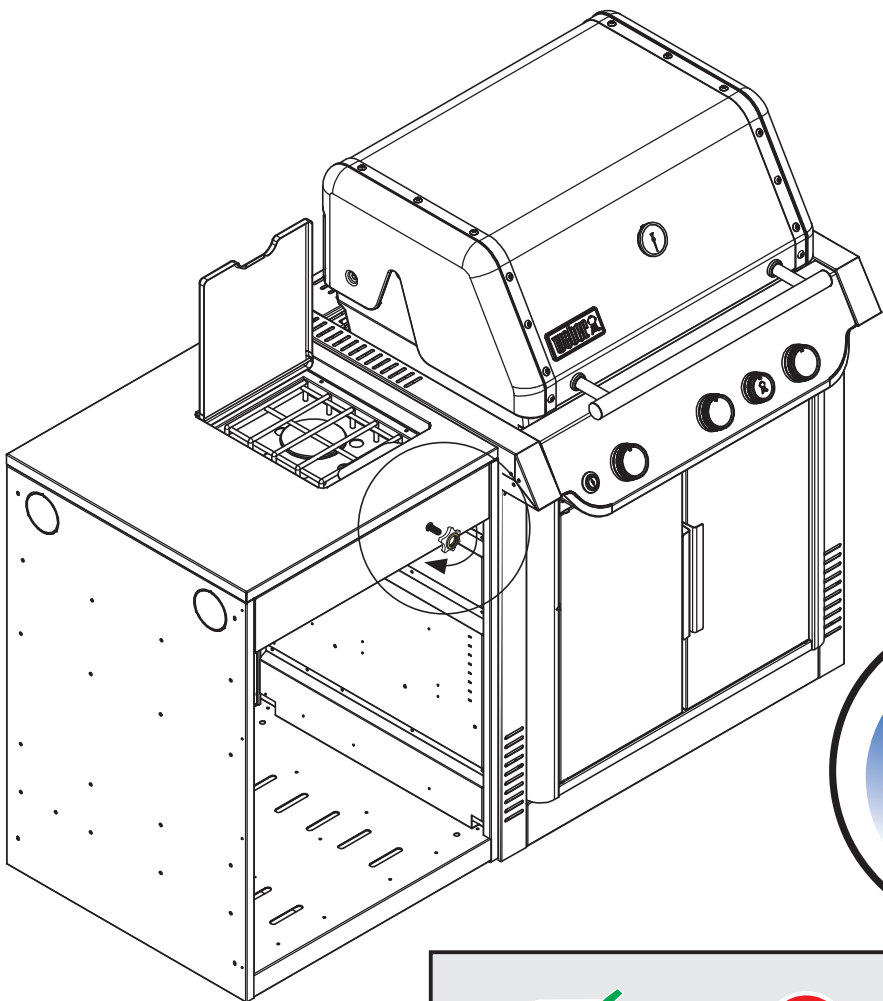


Video

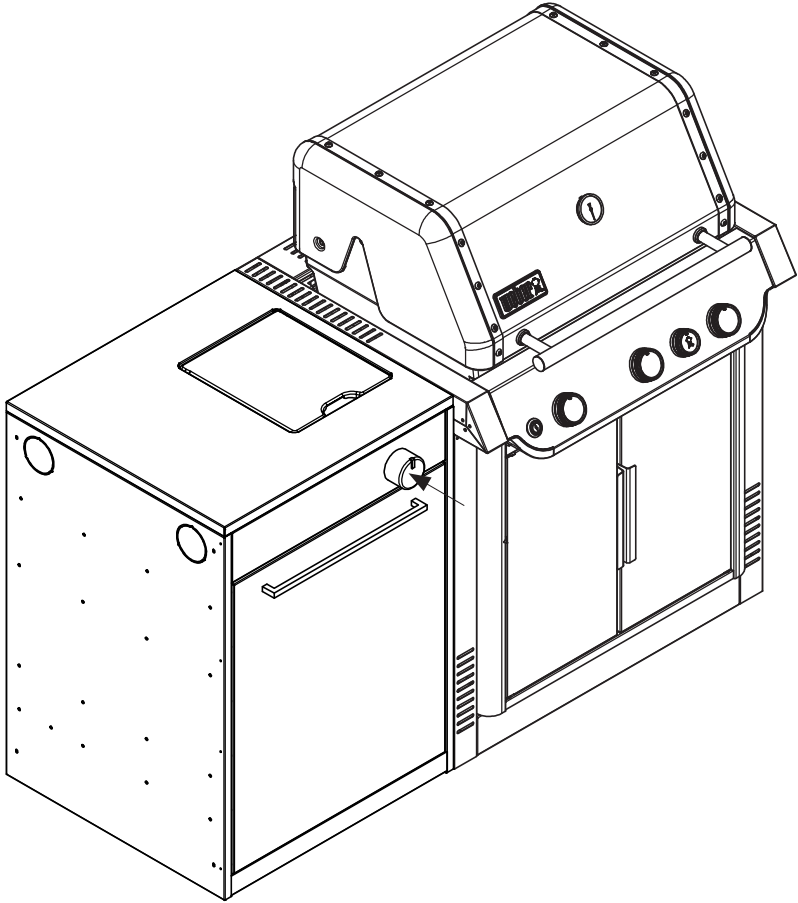
<https://youtu.be/m93Lphn3Kx0?si=eiC6K4pS0m1GZRhJ>



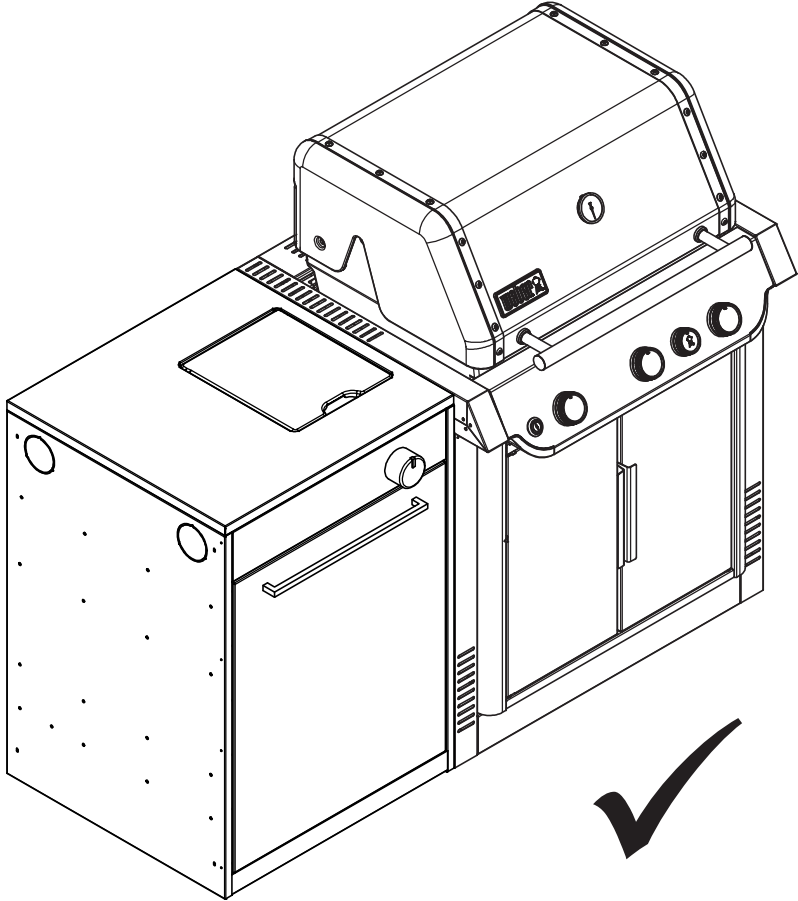
10



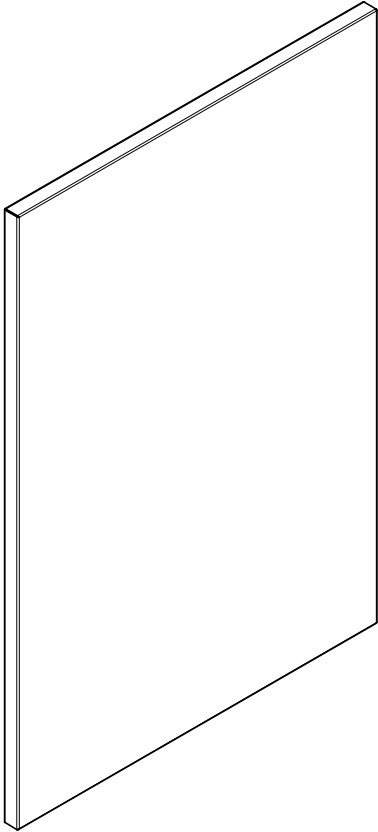
11



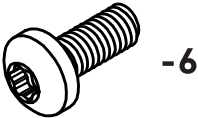
12




BBQ1102600 SIDE PANEL BLACK INCL. SCREW KIT



3400743 (BBQ1102600A)



TOOLS REQUIRED:



Tx20

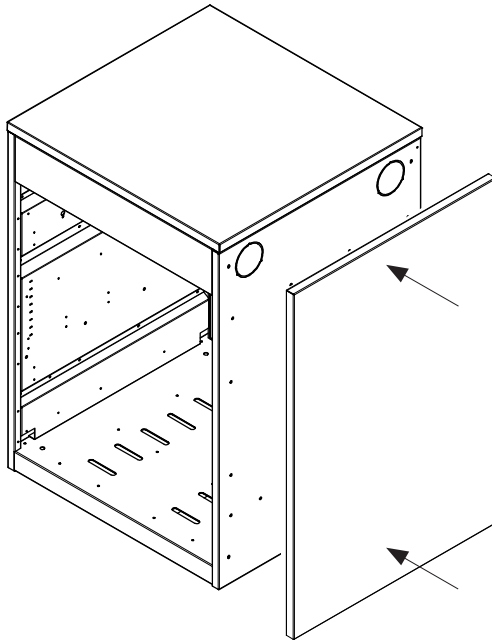
1



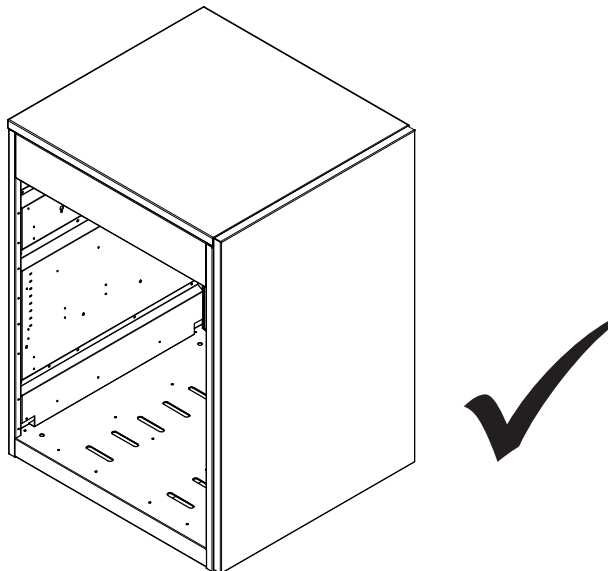
Video

https://youtu.be/_p5V-Ka_TAs?si=2tMesZWqsnwHqL9l

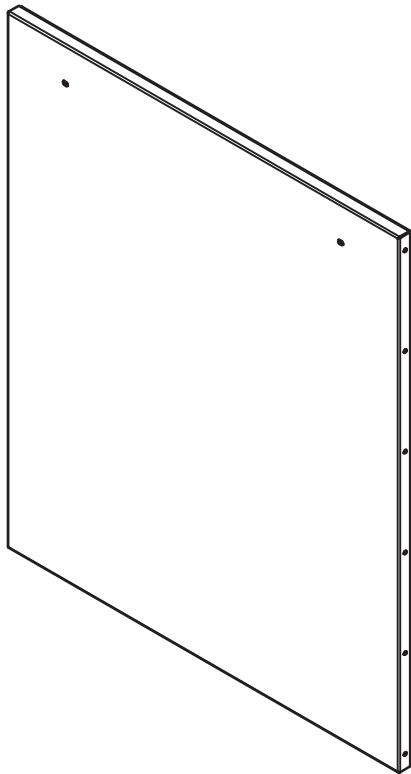
2



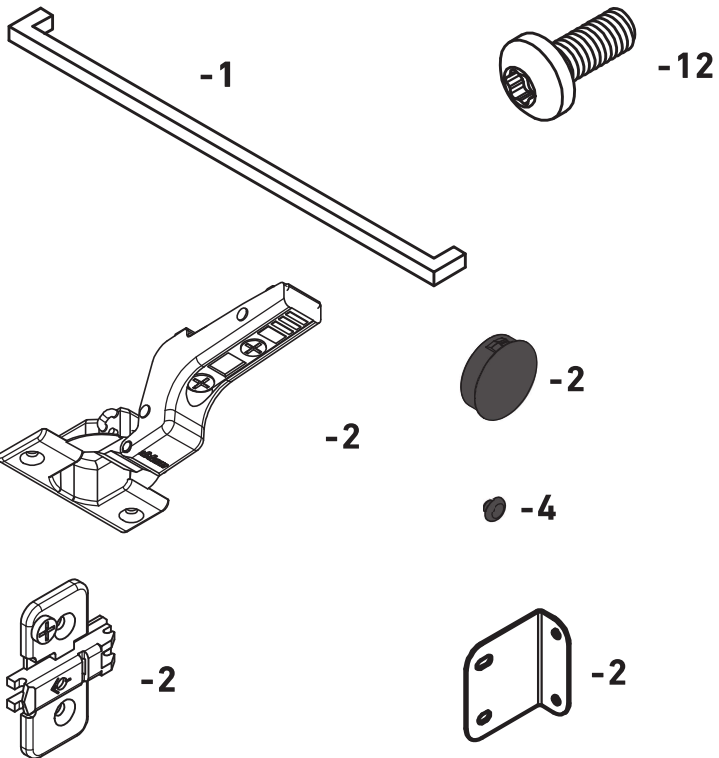
3



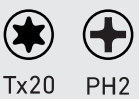
3400538 (BBQ1000400S) DOOR WITH HANDLE INCL. SCREW KIT



3400763 (BBQ1100400A)



TOOLS REQUIRED:



Tx20 PH2

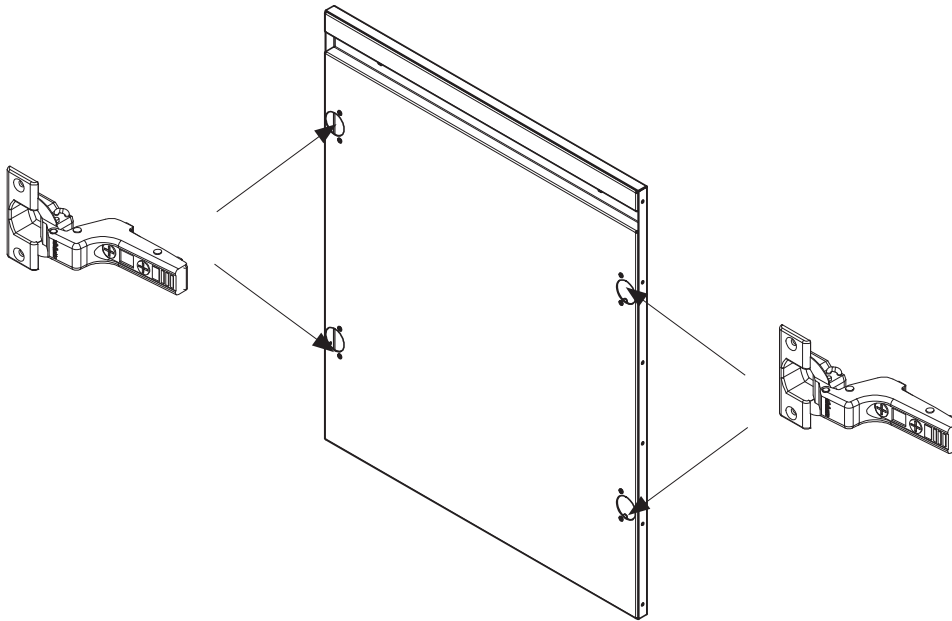
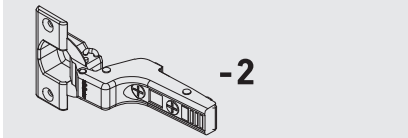
1



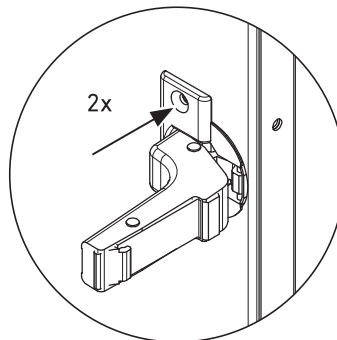
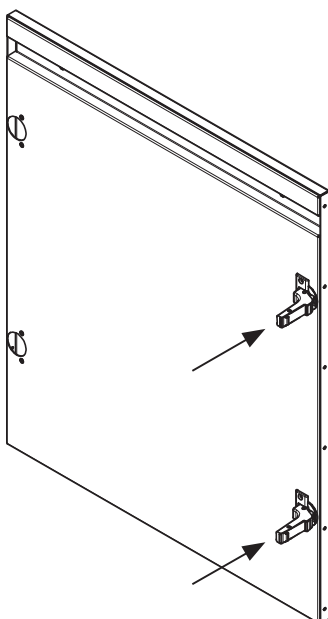
Video

<https://youtu.be/RijuF4FH60c?si=84Hcb0iNjXotTLoC>

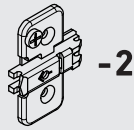
2



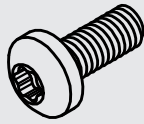
3



4



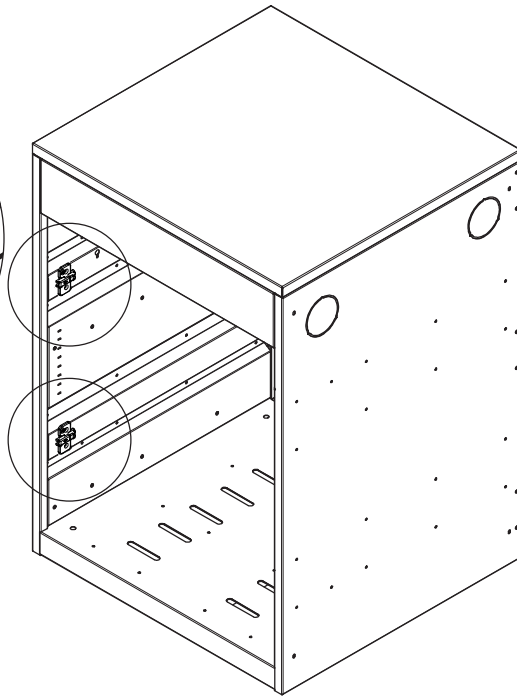
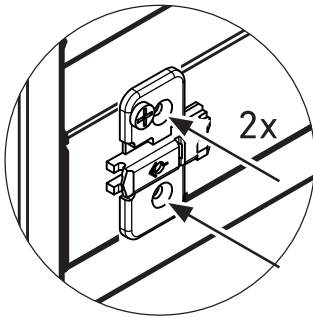
-2



-4



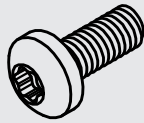
Tx20



5



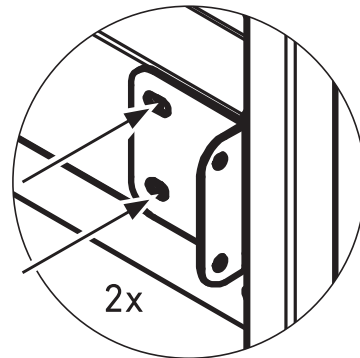
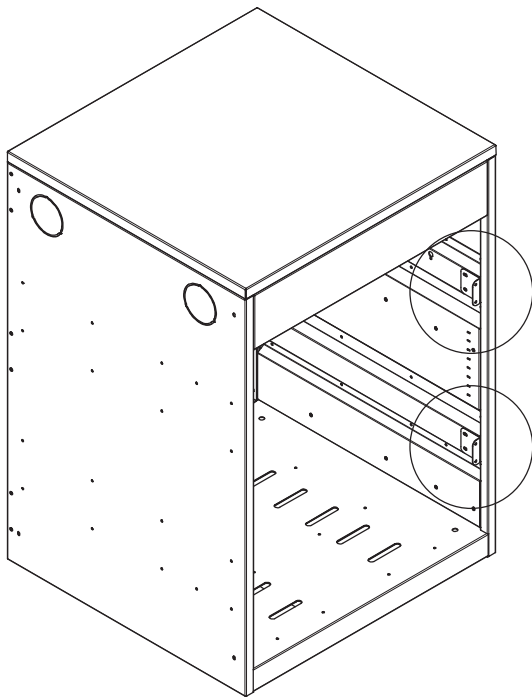
-2




-4

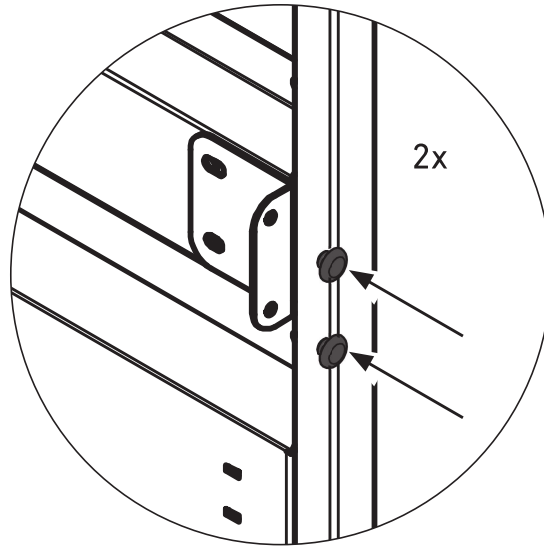


Tx20



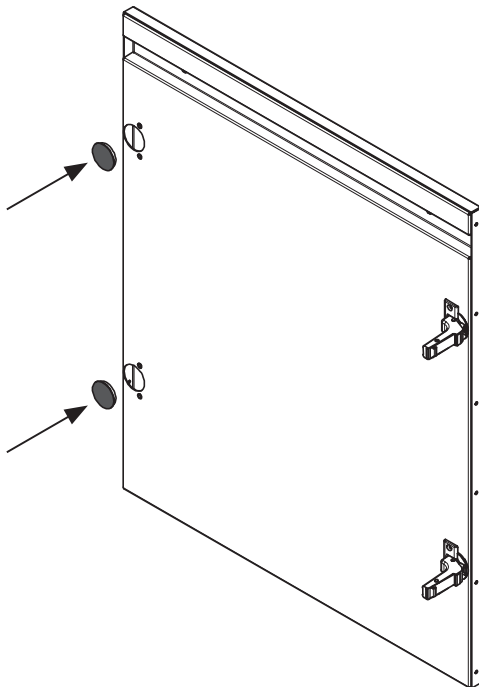
6

 -4



7

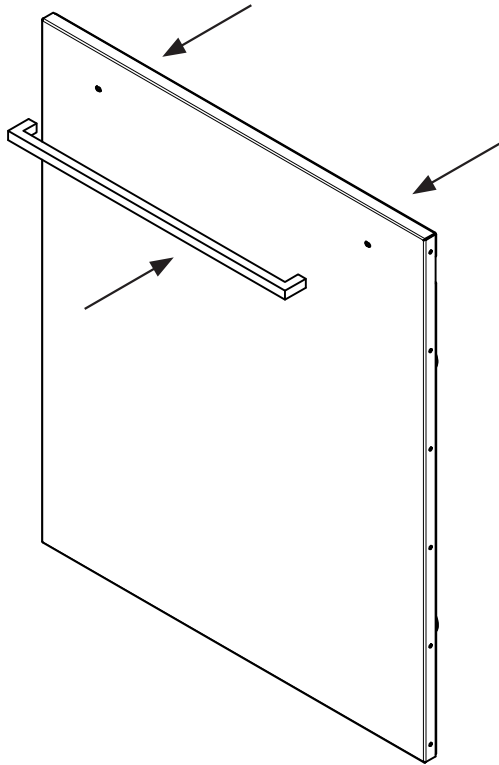
 -2



8



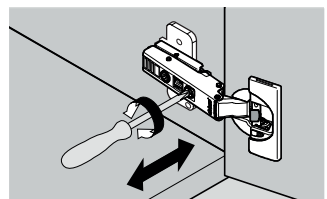
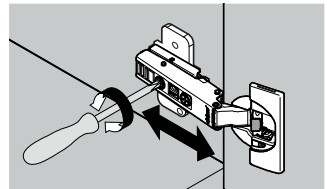
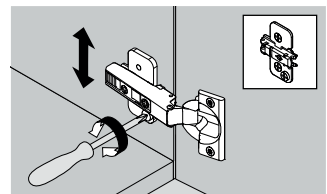
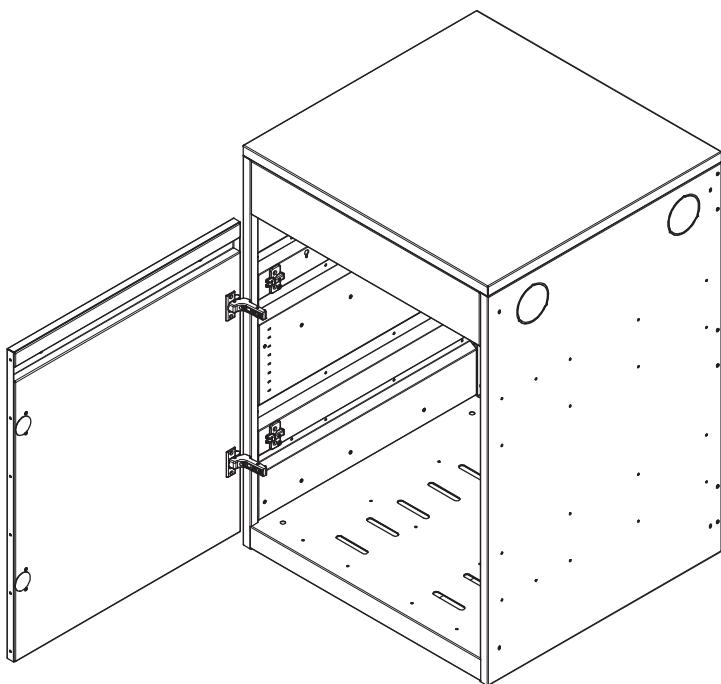
PH2



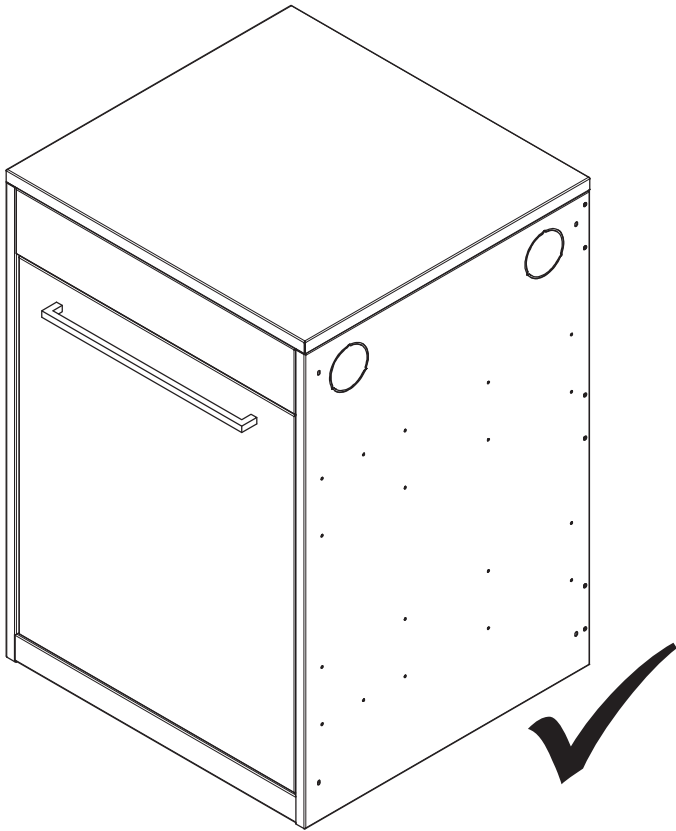
9



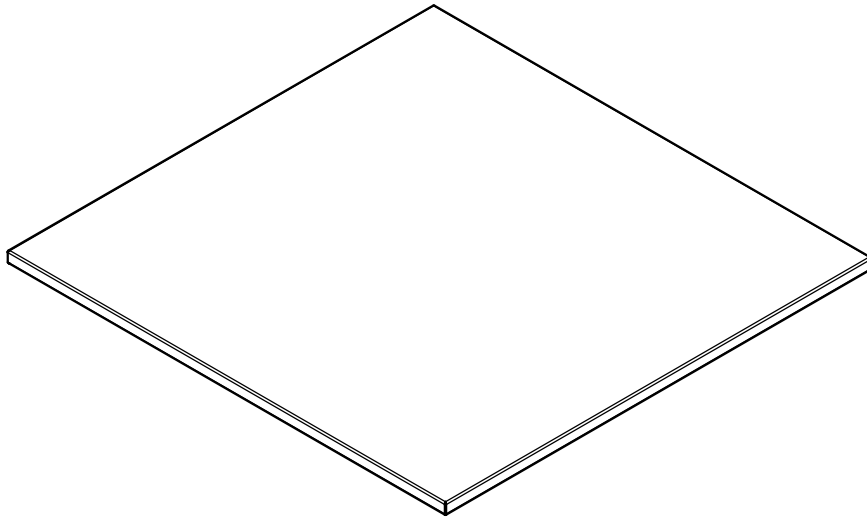
PH2



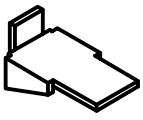
10



3400465 (BBQ1102500S) STORAGE SHELF INCL. SCREW KIT

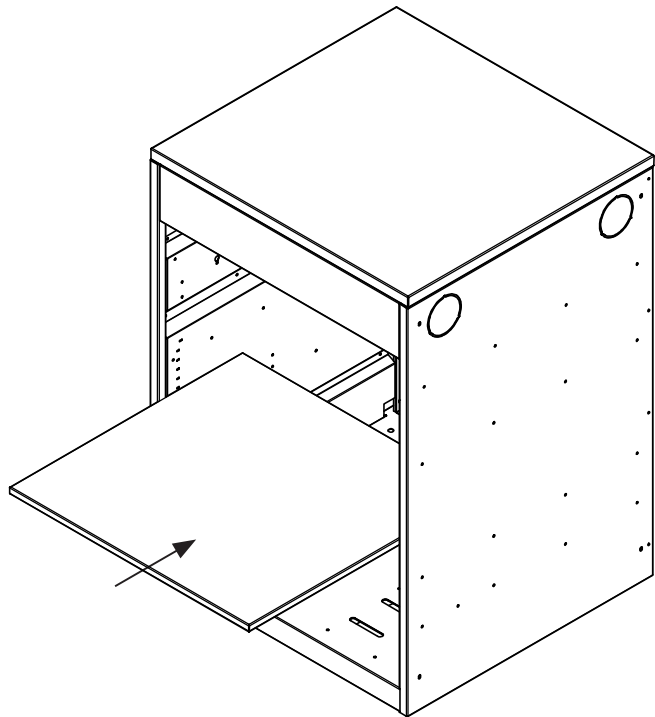
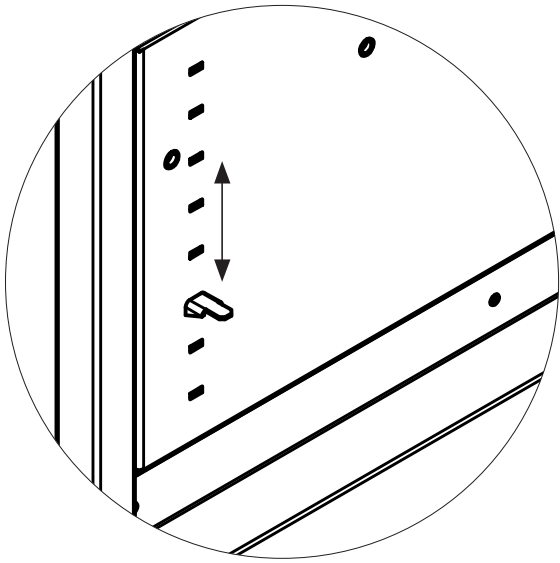
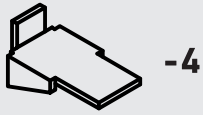


3400761 (BBQ1102500A)

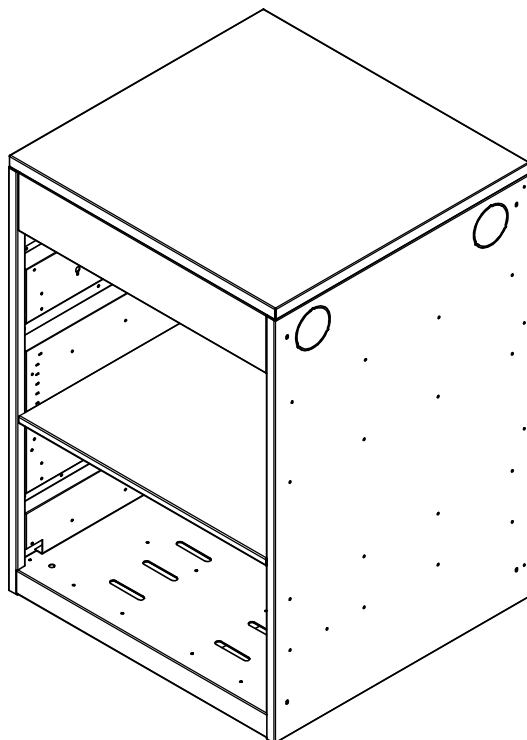


-4

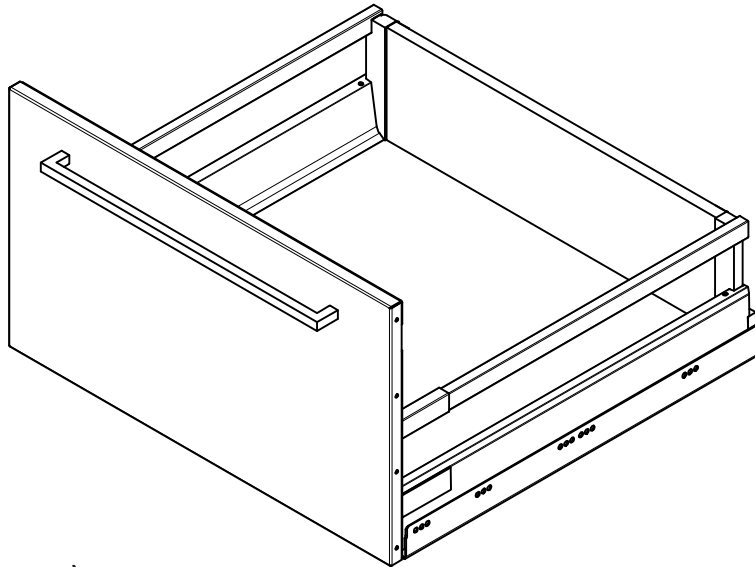
1



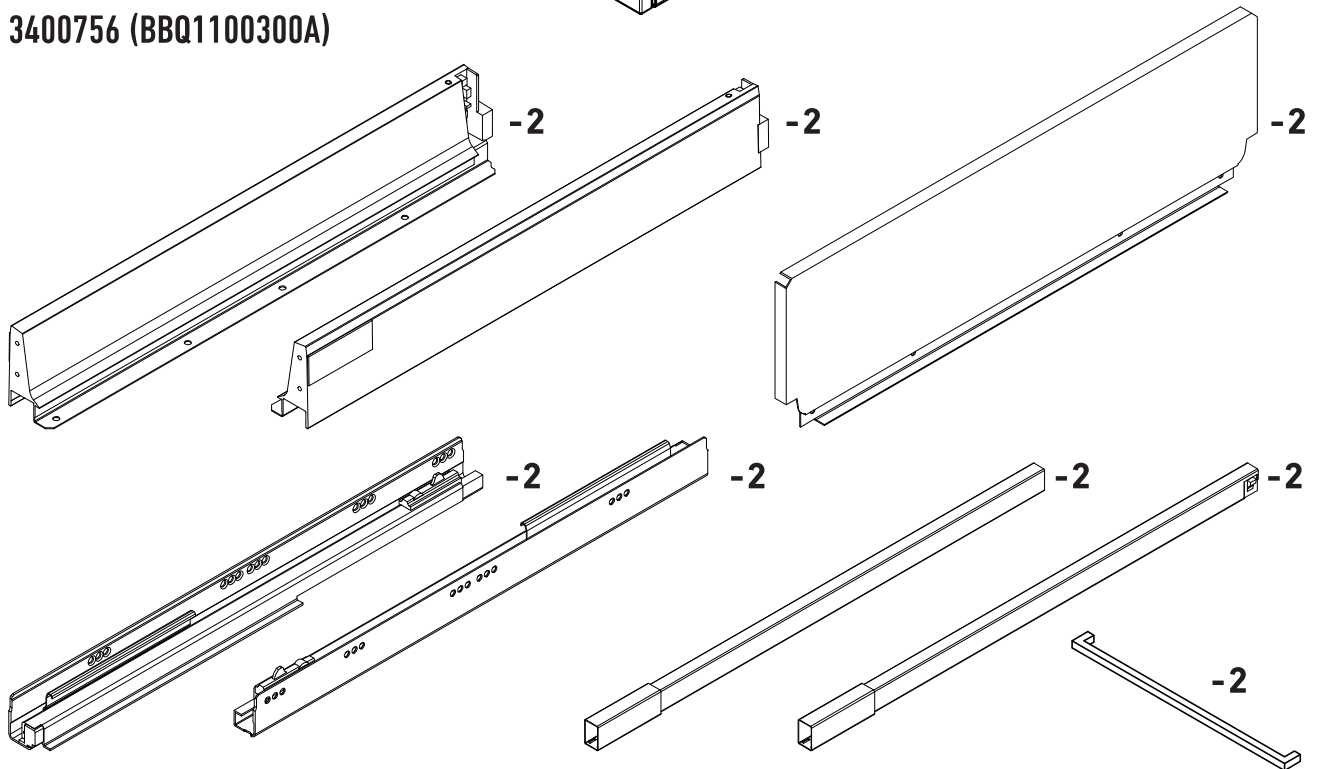
2



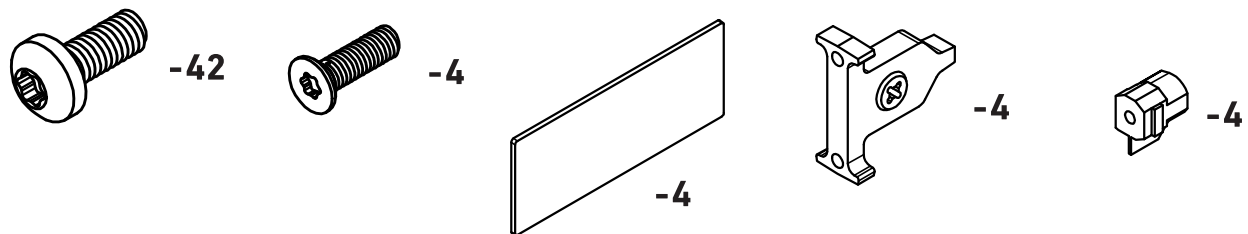
3400999 (BBQ2000188) DOUBLE DRAWER SET INCL. SCREW SET



3400756 (BBQ1100300A)



2401203 (BBQ2000237)



TOOLS REQUIRED:



Tx20



Tx10



PH2

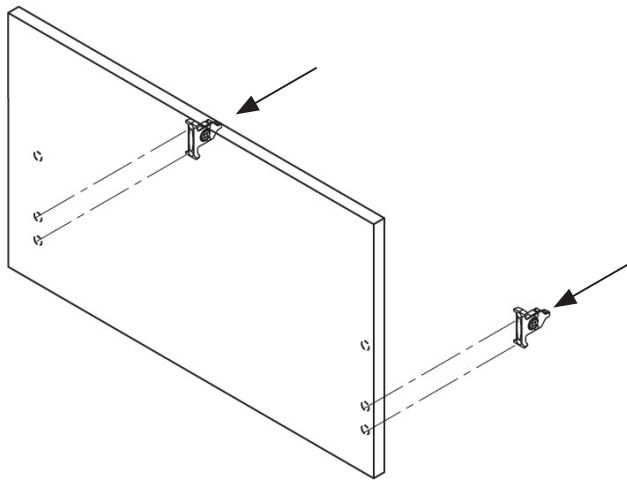
1



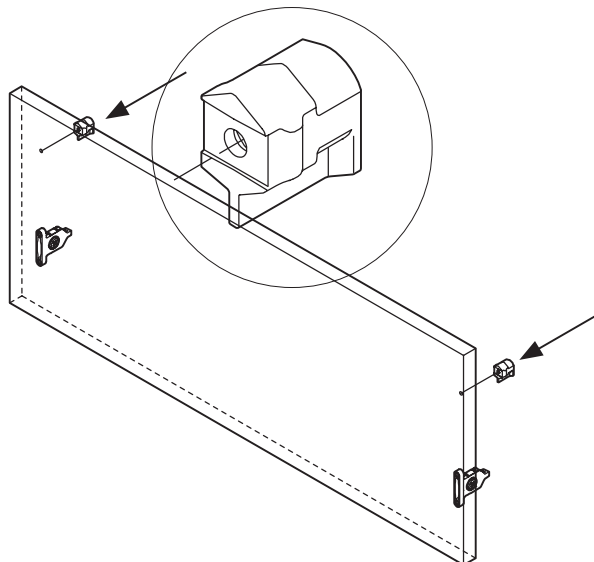
Video

https://youtu.be/PfTd_RH0Ly0?si=Kho6Tqnl7n_vQmwT

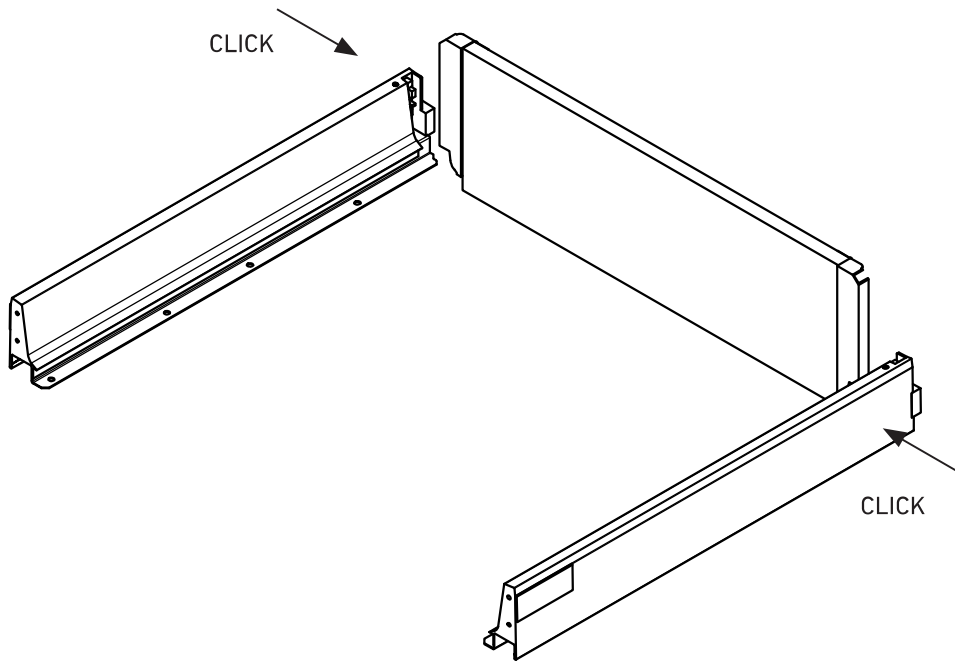
2



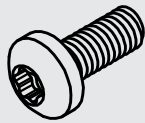
3



4



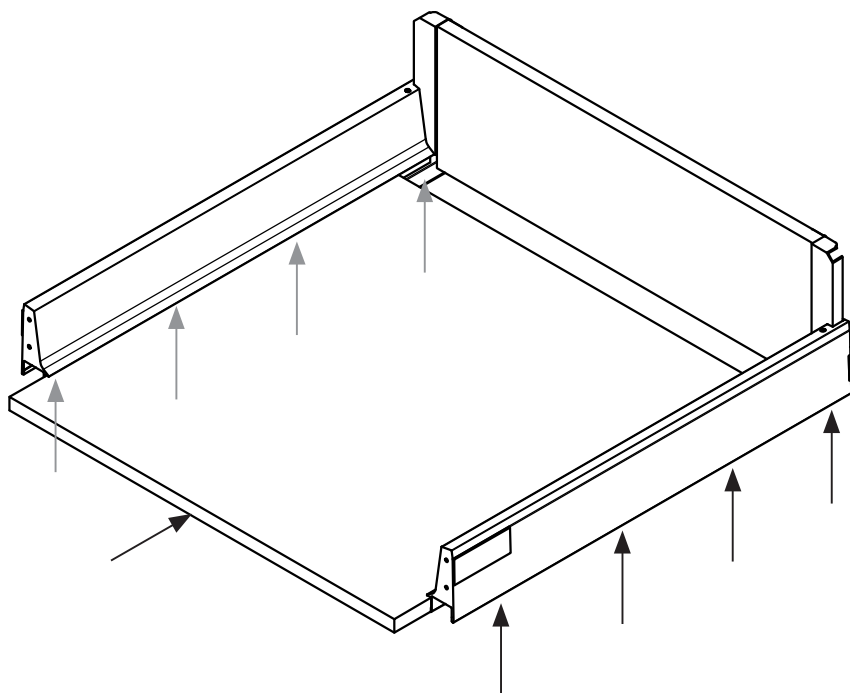
5



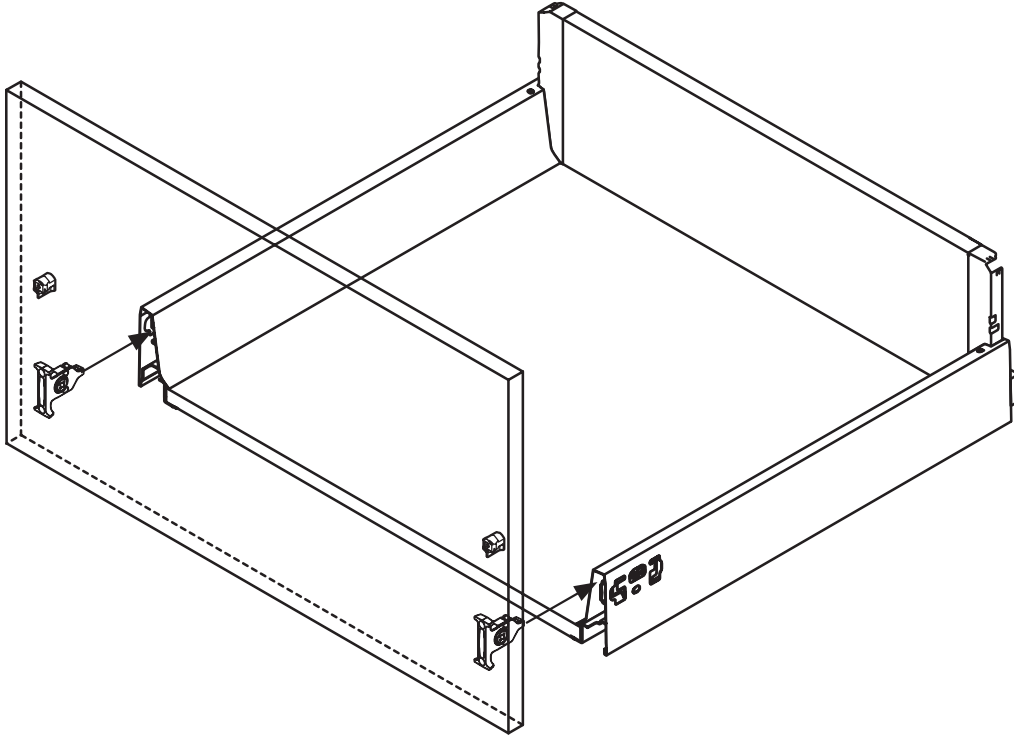
-8



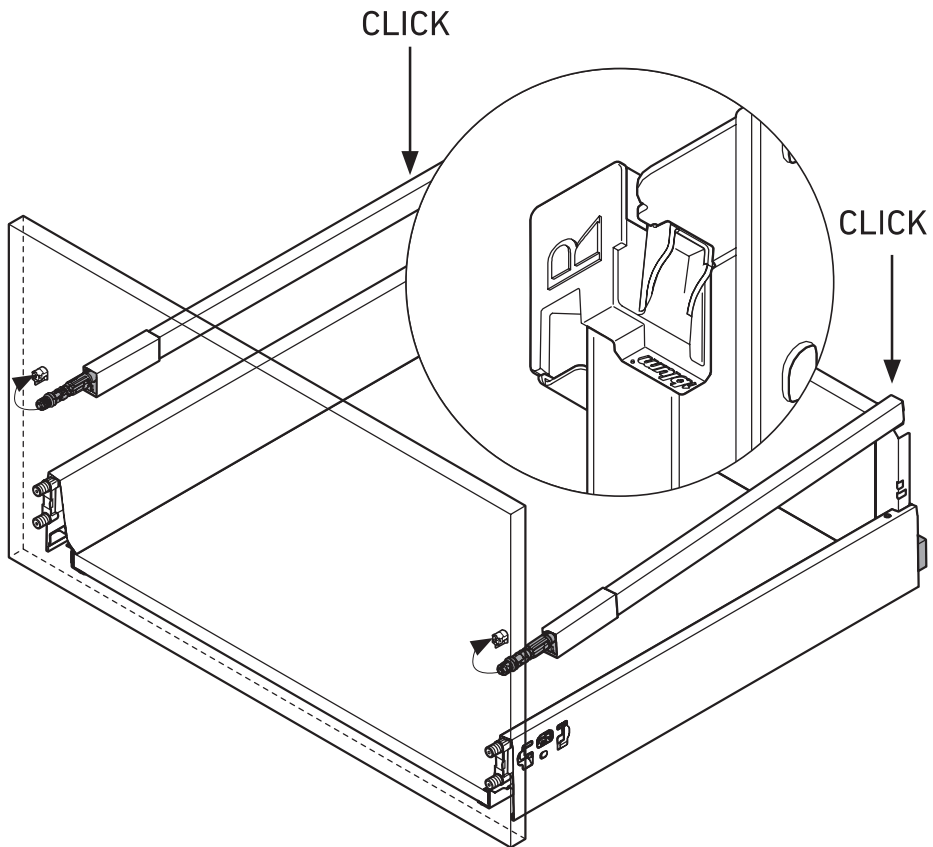
Tx20



6



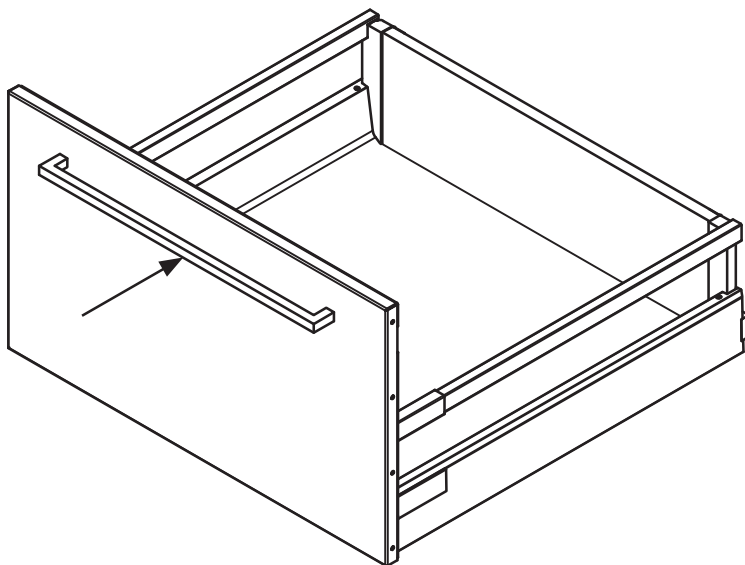
7



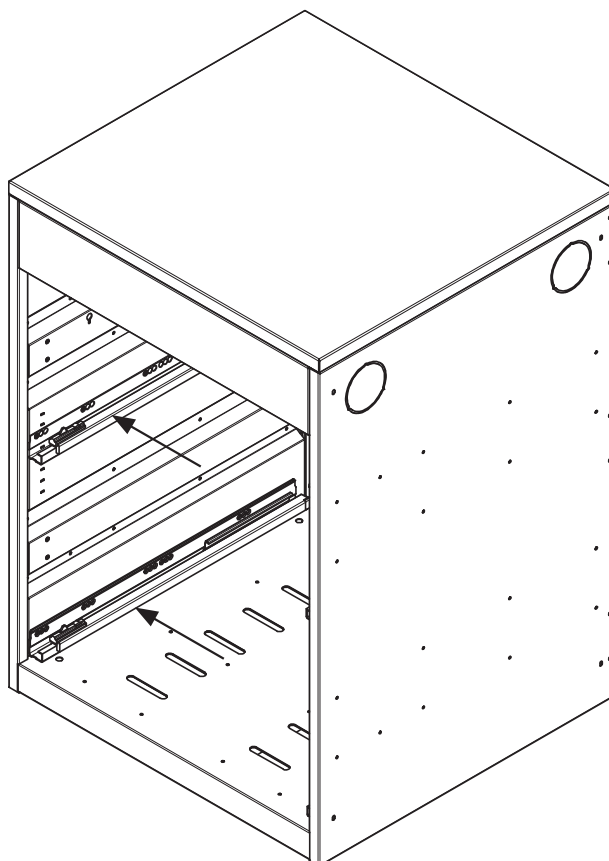
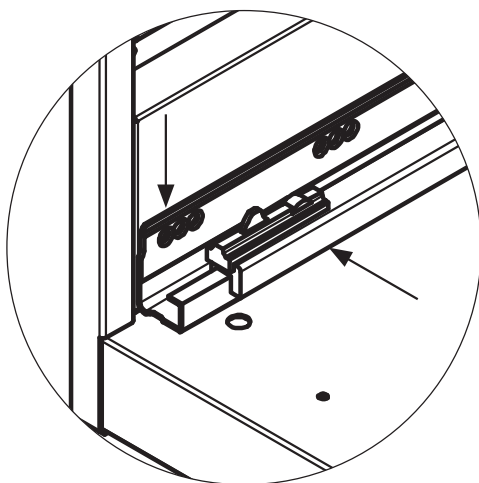
8



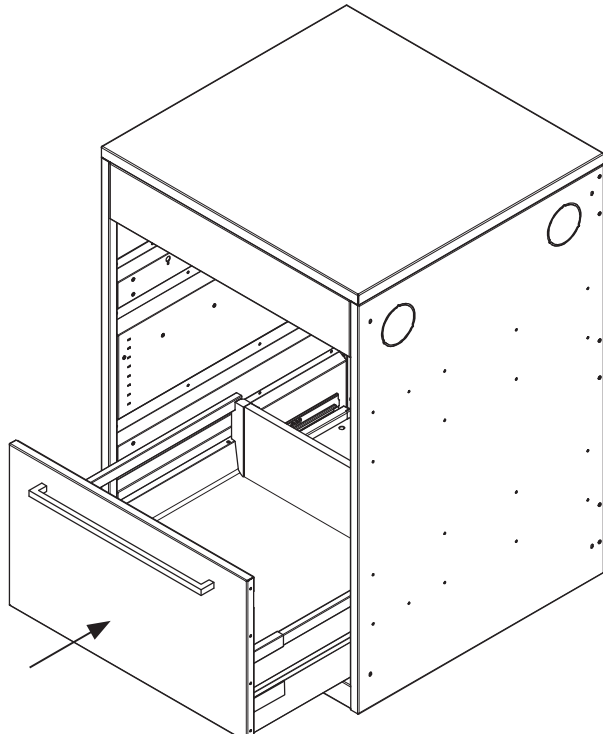
PH2



9



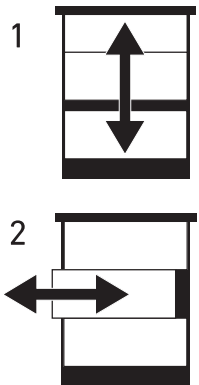
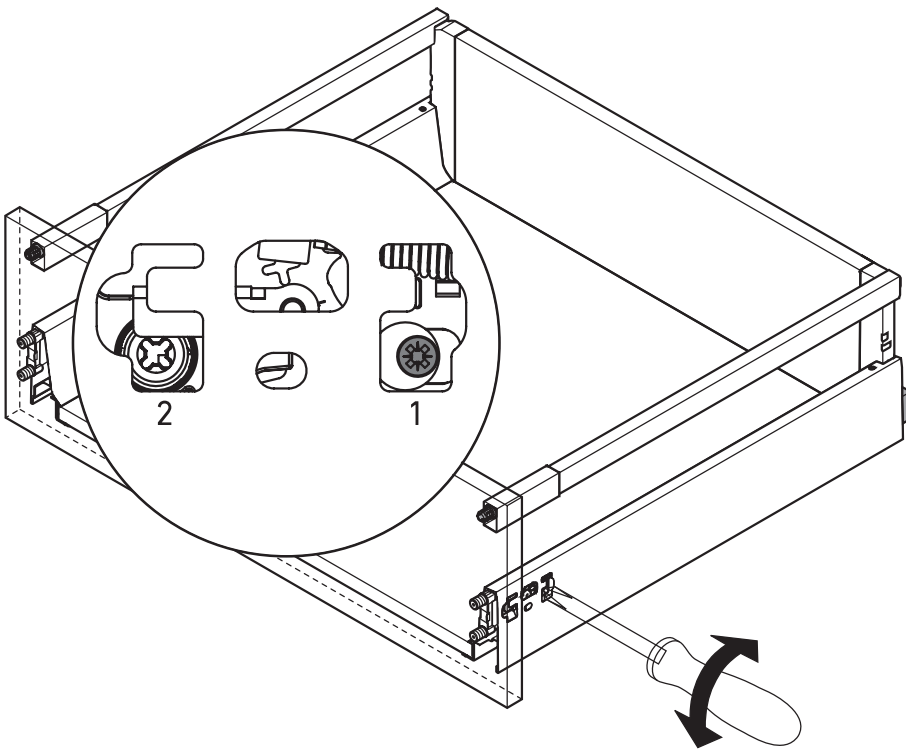
10



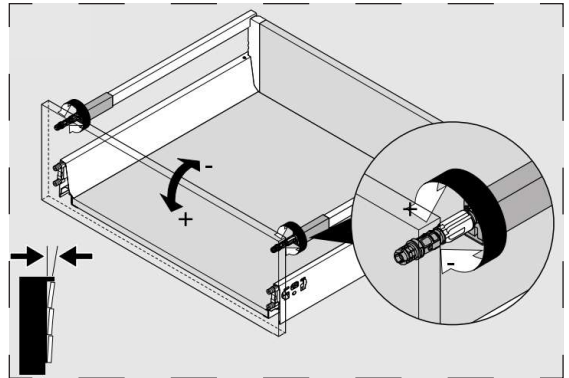
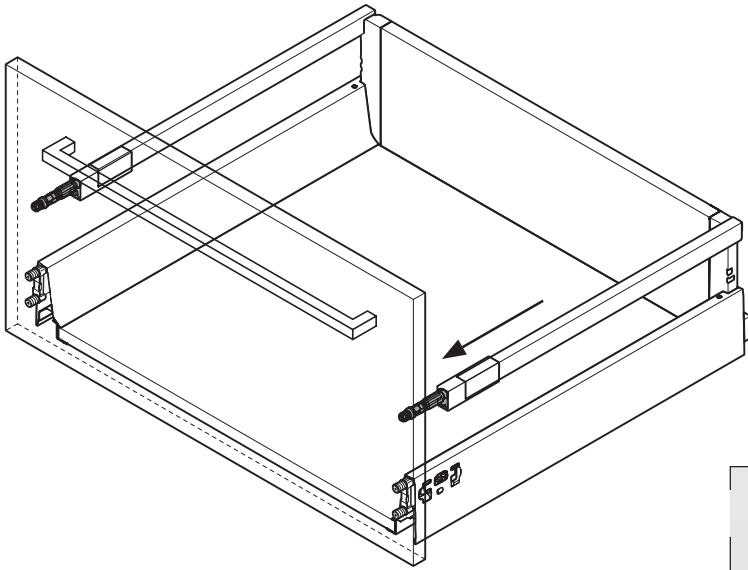
11



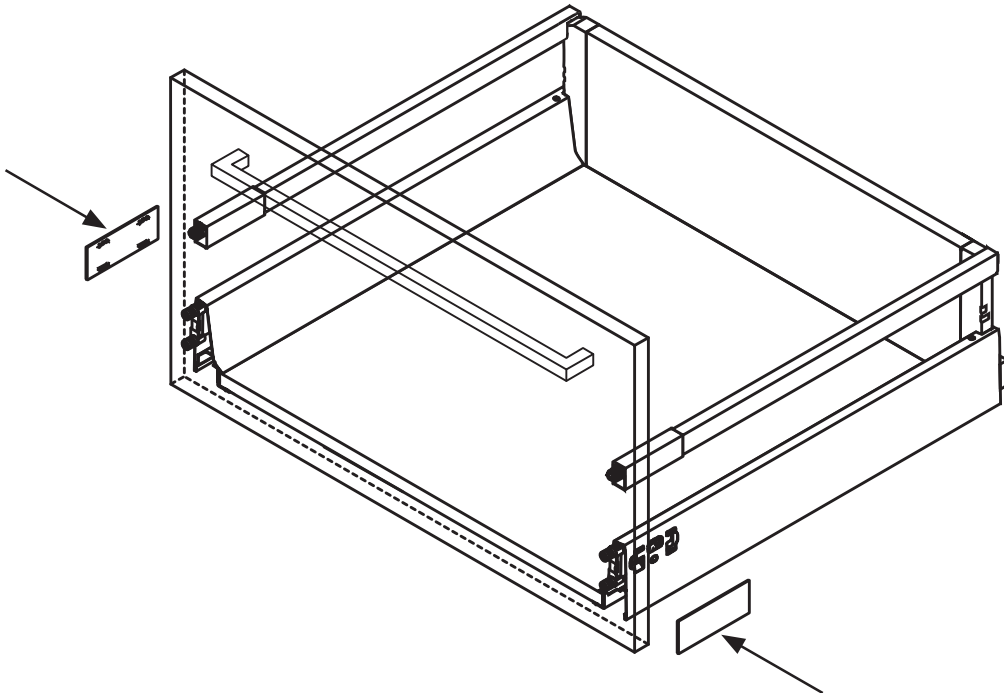
PH2

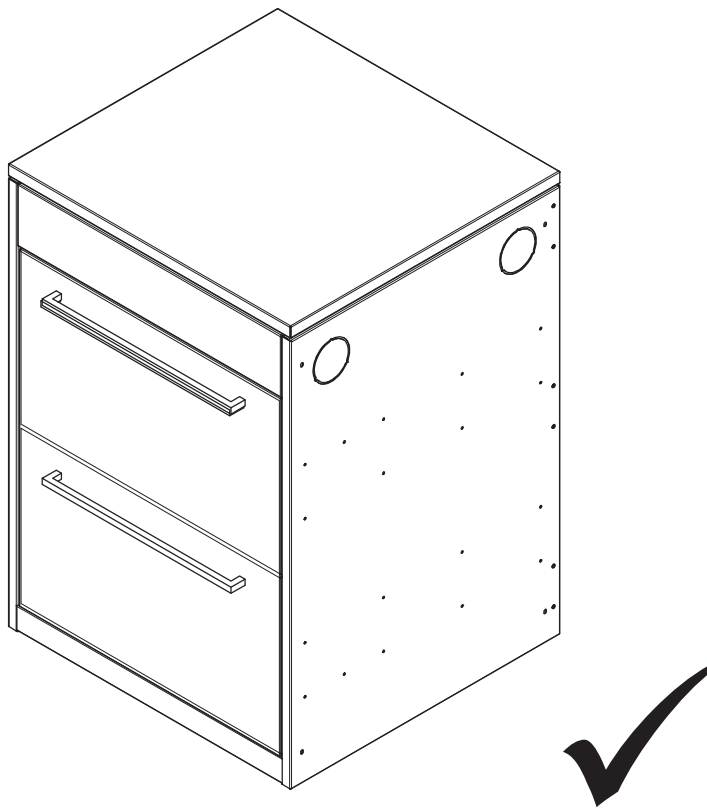



12



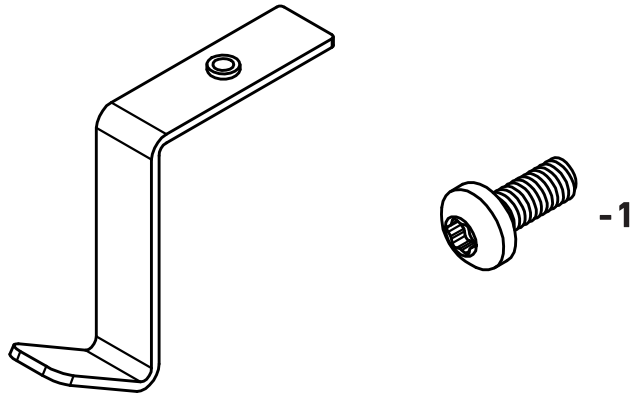
13 -2





	<p>ATTENTION! Tipping over of the basic module with drawers may result in property damage.</p>
	<ul style="list-style-type: none">• The basic module with drawers may only be used in combination with a connection kit or other basic modules with doors or corner element. Anchoring to the wall using a wall mounting element is also permissible.

BBQ2000219 TOOL HOOK



TOOLS REQUIRED:



Tx20

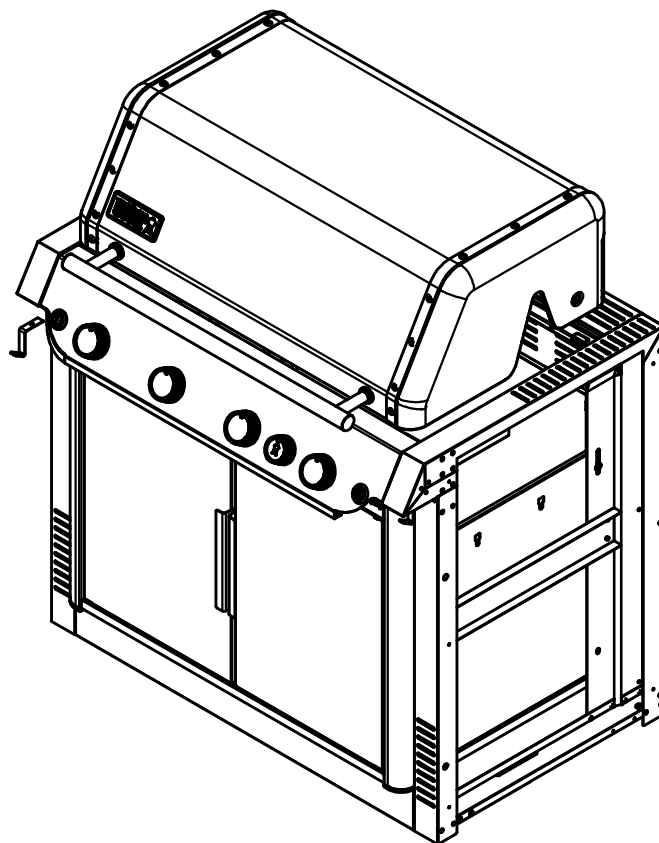
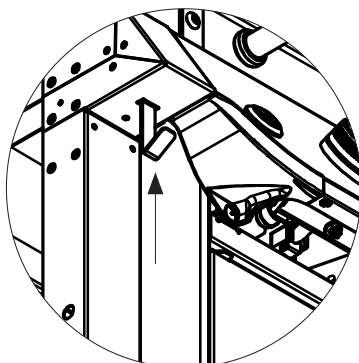
1



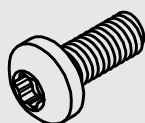
Video

https://youtu.be/ia_DZ7eRv4Q?si=ZoDke5sNGEJ_ab01

2



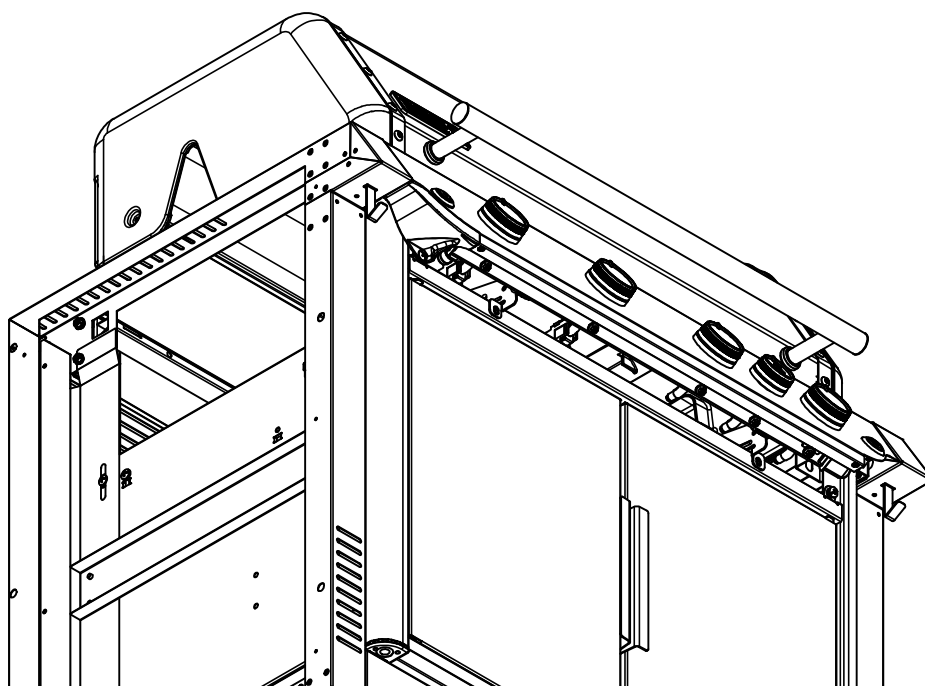
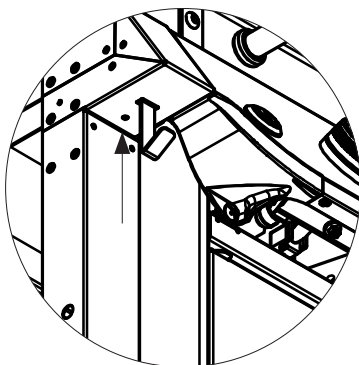
3



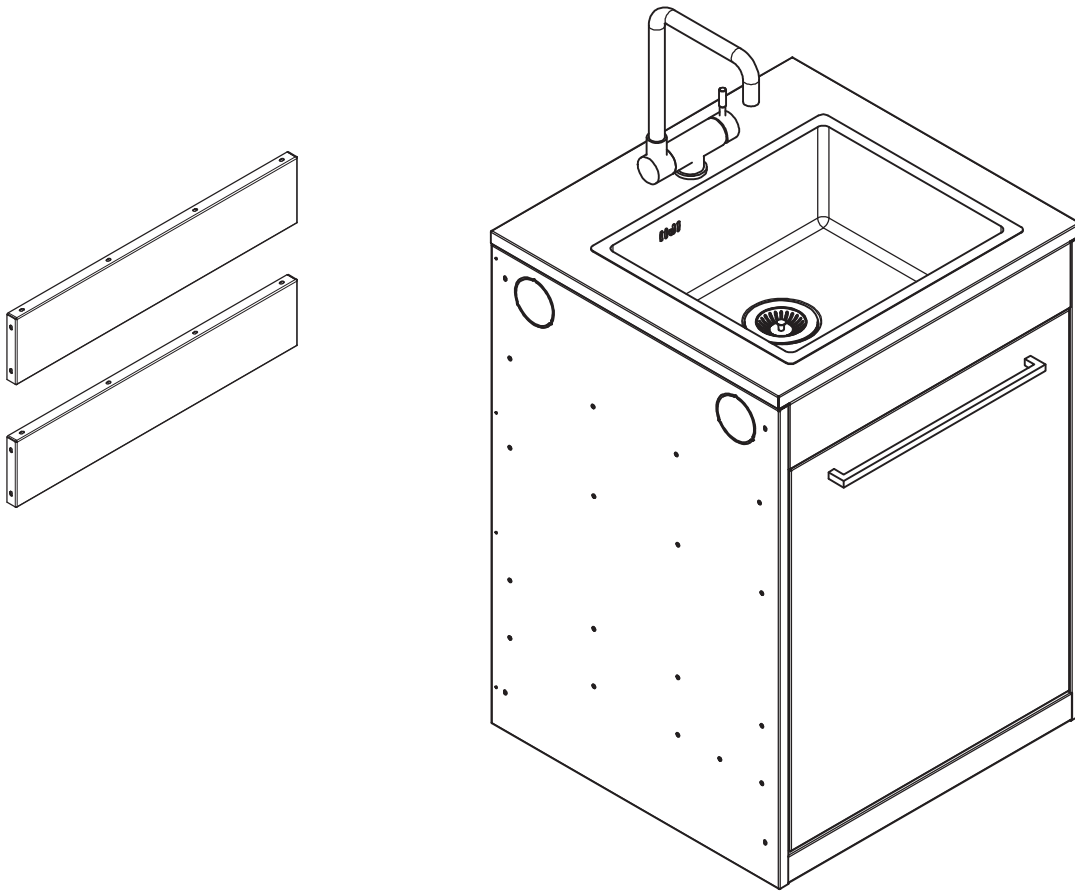
-1



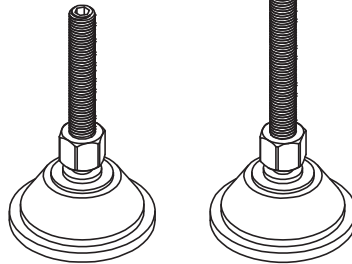
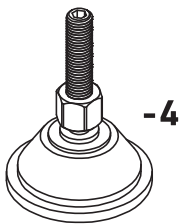
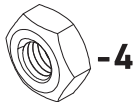
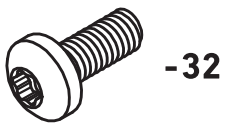
Tx20



3401010 (BBQ1100040) SINK MODULE



3400758 (BBQ1100100A)

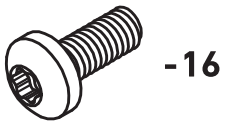


TOOLS REQUIRED:

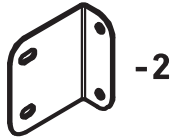
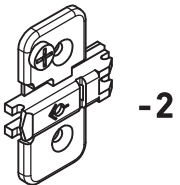
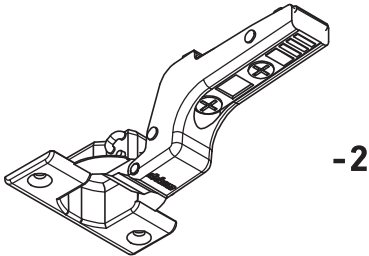
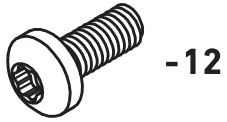
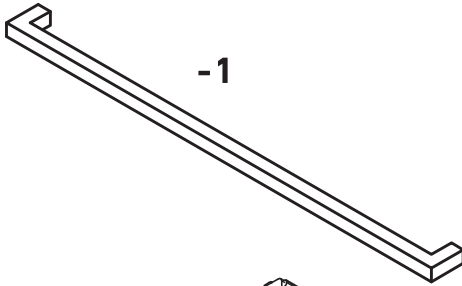


Tx20

3400754 (BBQ1101000A)



3400763 (BBQ1100400A)



1



Video

<https://www.youtube.com/watch?v=-GEfi8zZVuw>

2

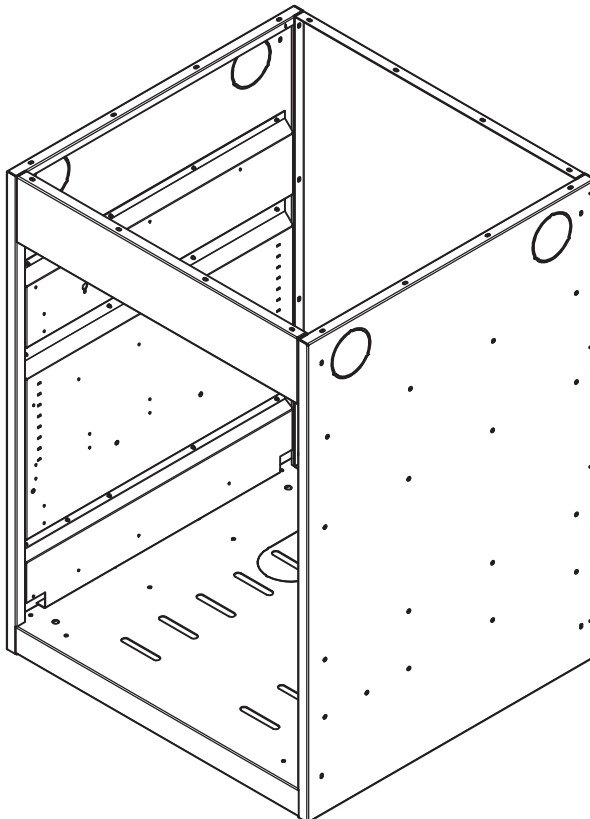


→ 3400544 (BBQ1000101S)

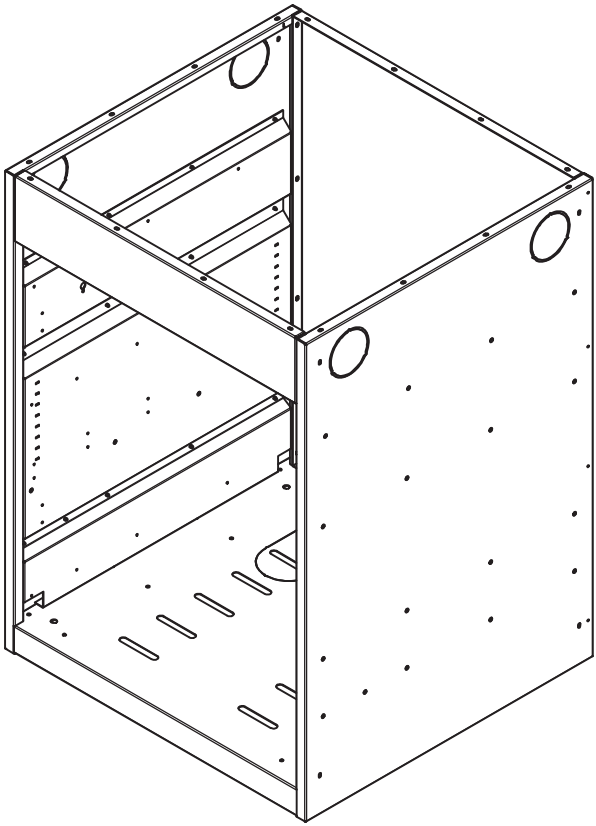
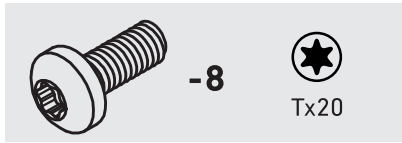


Video

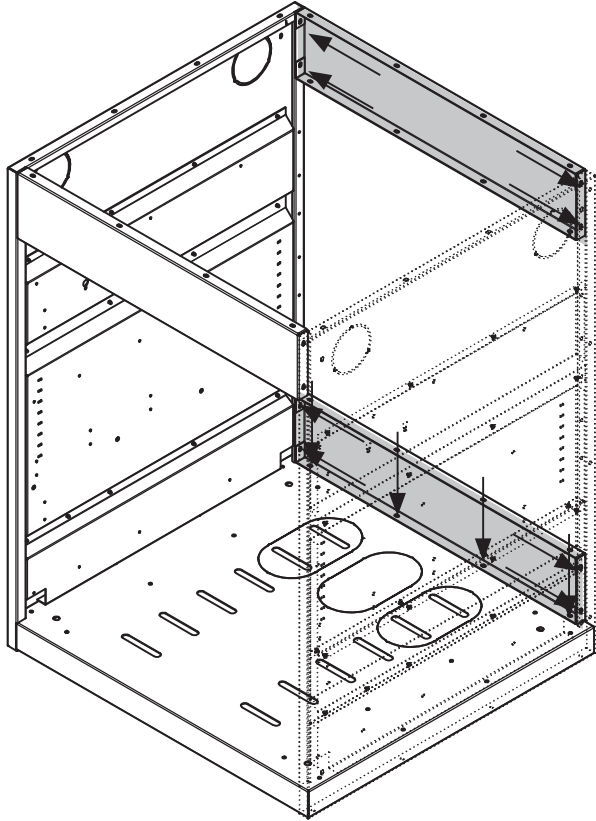
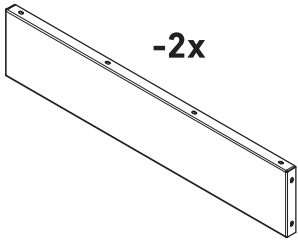
<https://youtu.be/3GbFCz4UgH8?si=5I-CzRSsqQphHan>



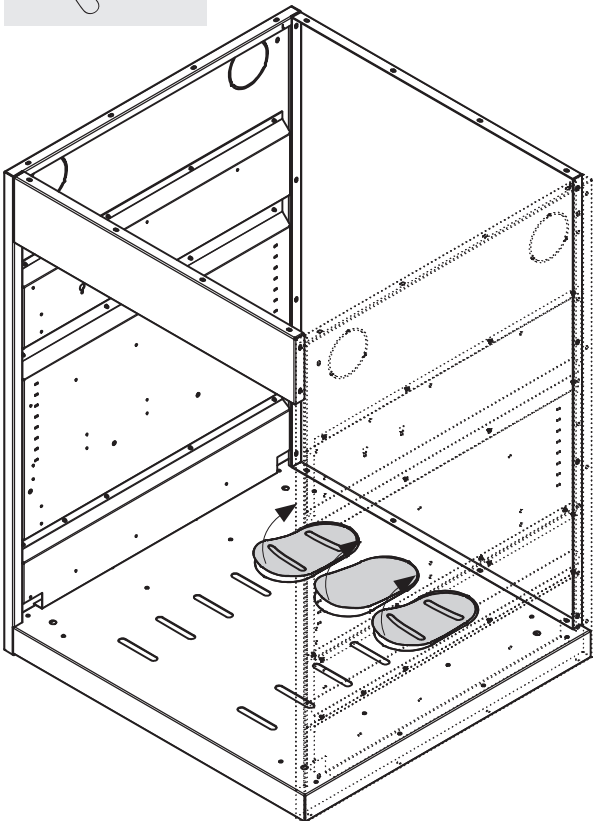
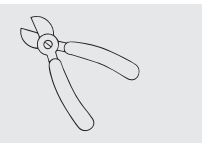
X



i OPTION



X



i OPTION

3

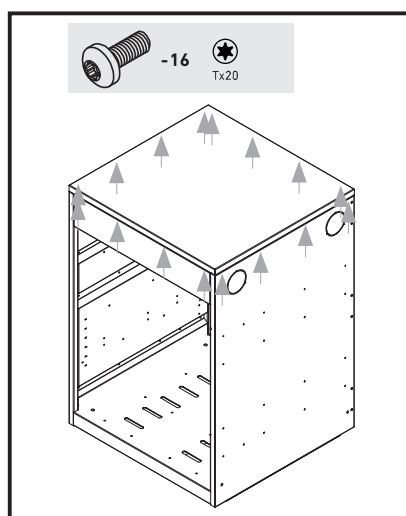
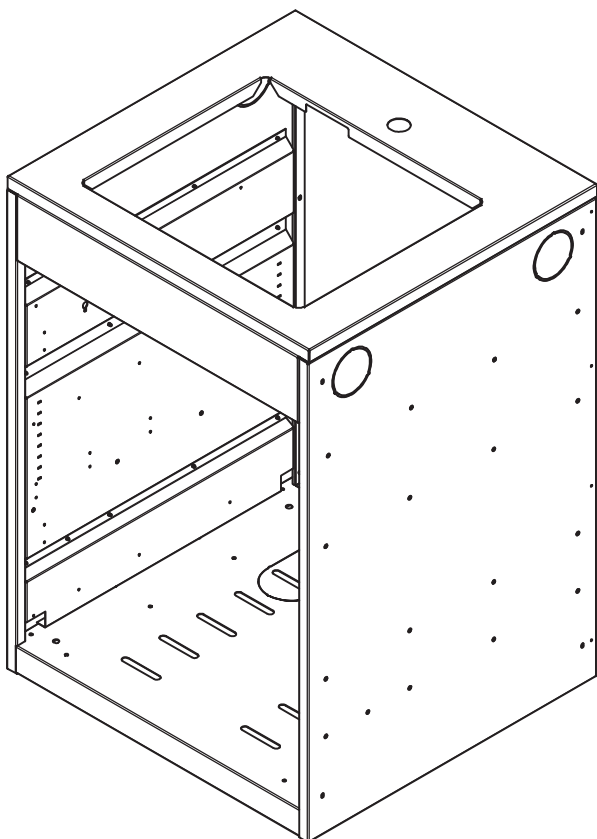


→ 3400542 (BBQ1001000S)

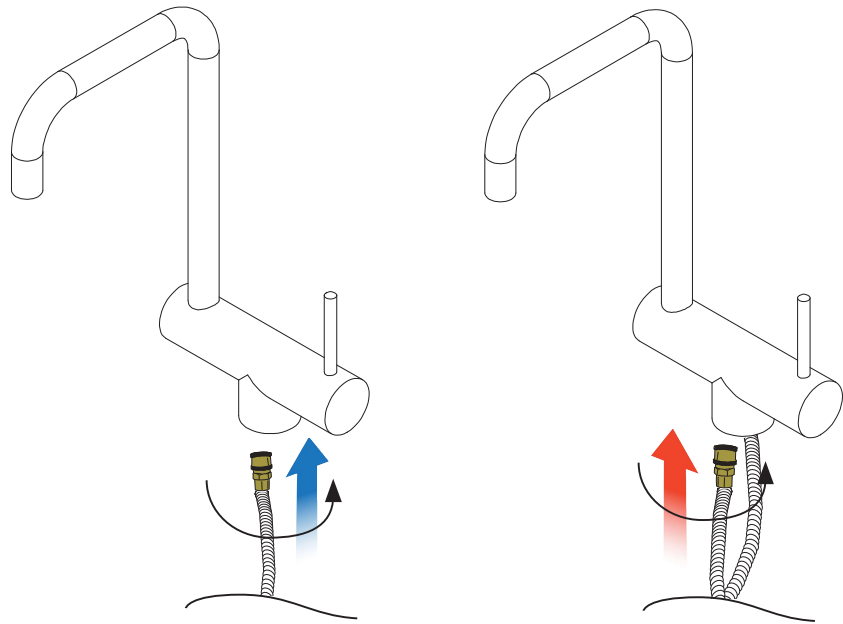


Video

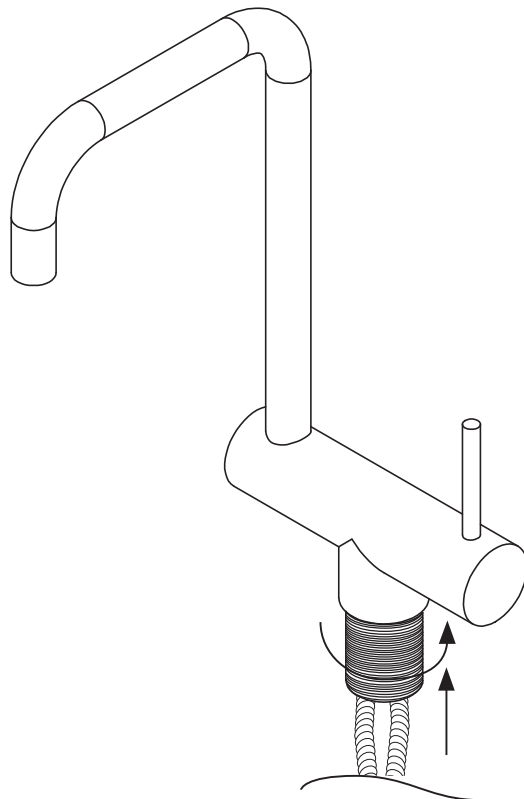
<https://youtu.be/5iNTLWHO4j0?si=5kBL1uJMuxW9PCwY>



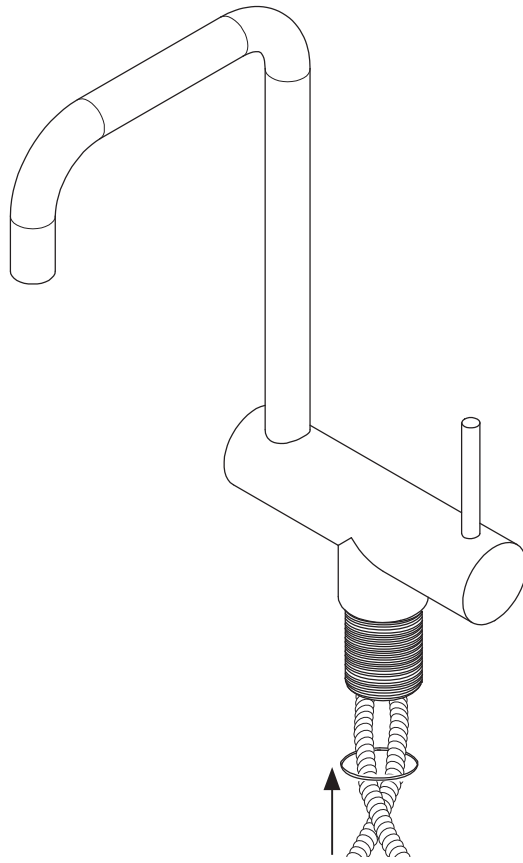
4



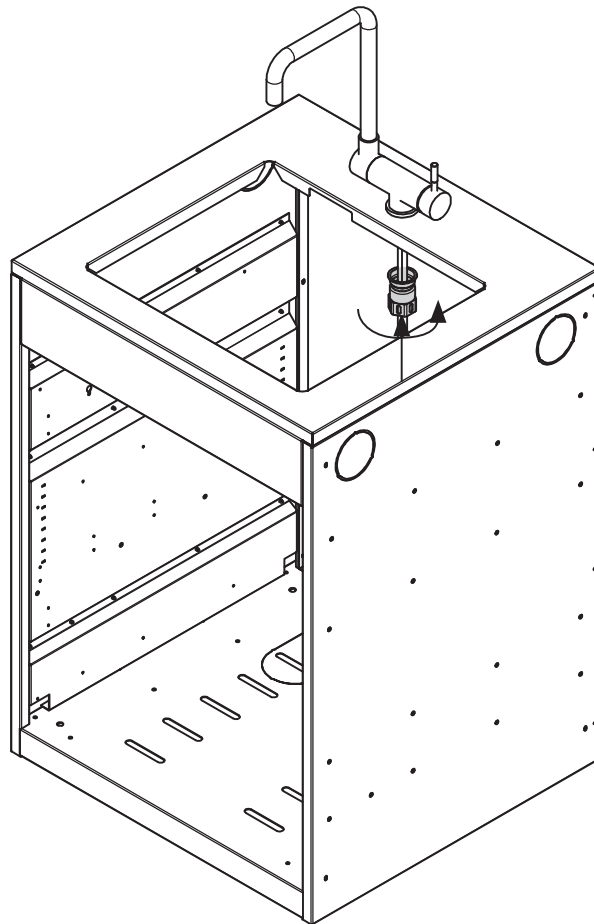
5



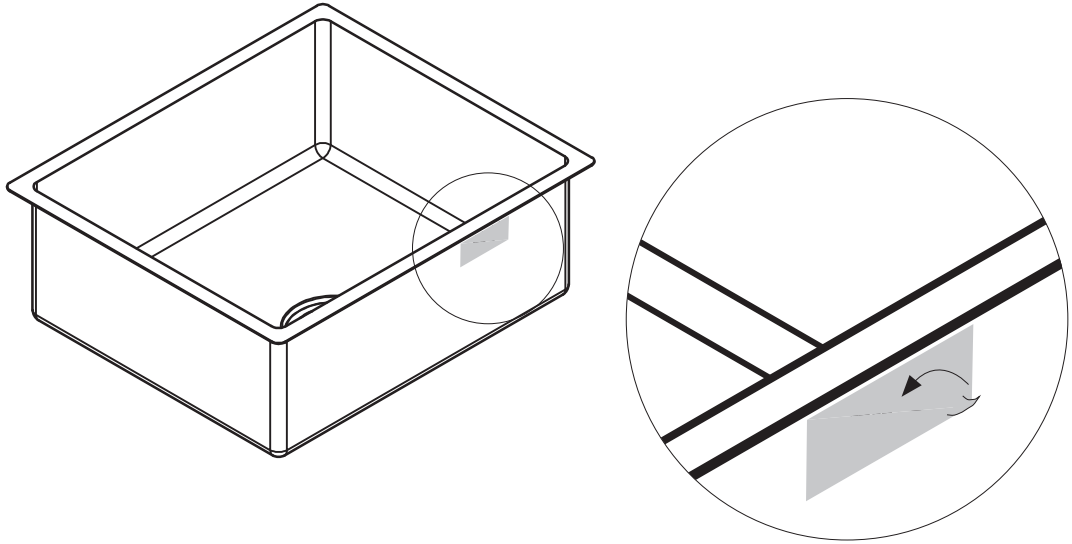
6



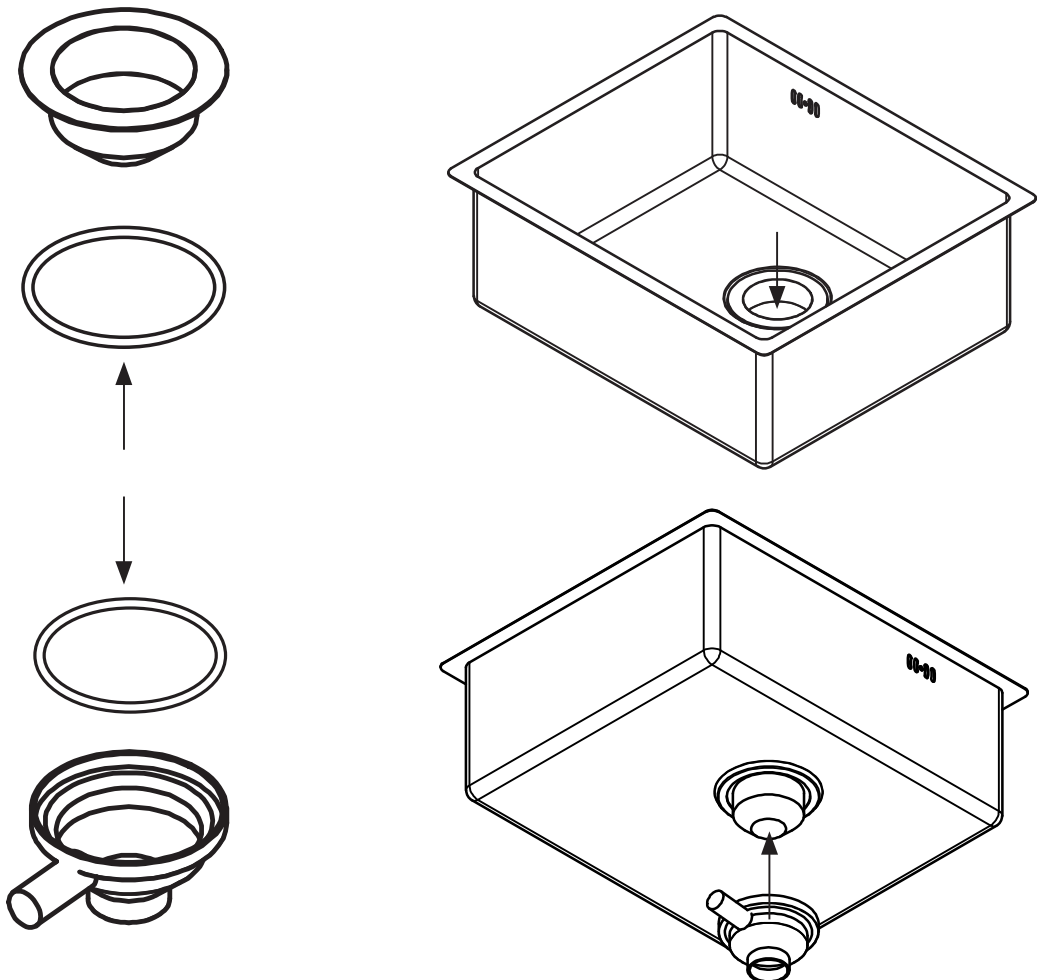
7



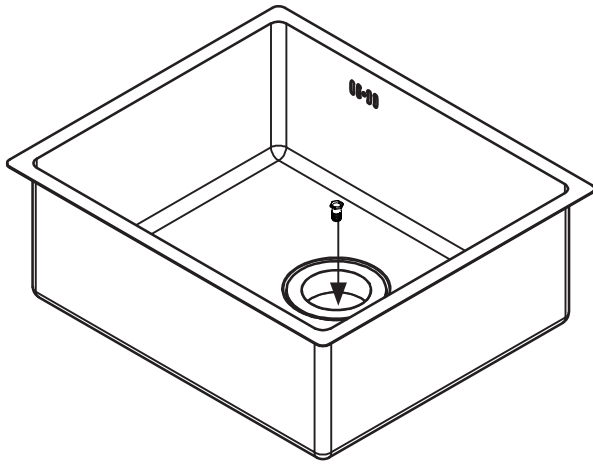
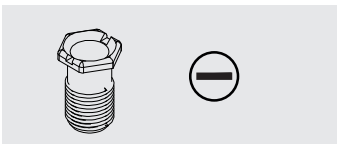
8



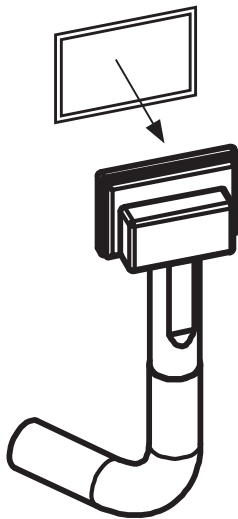
9



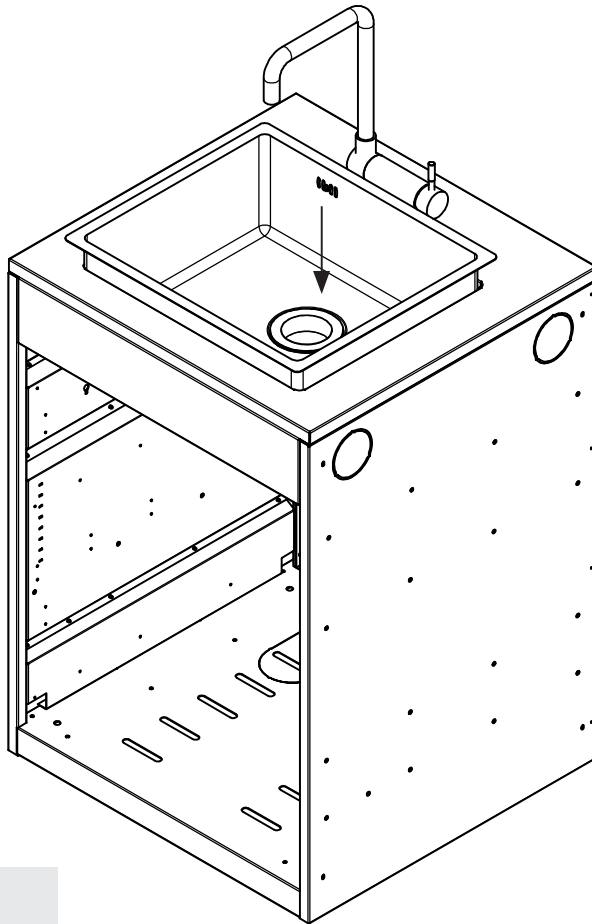
10



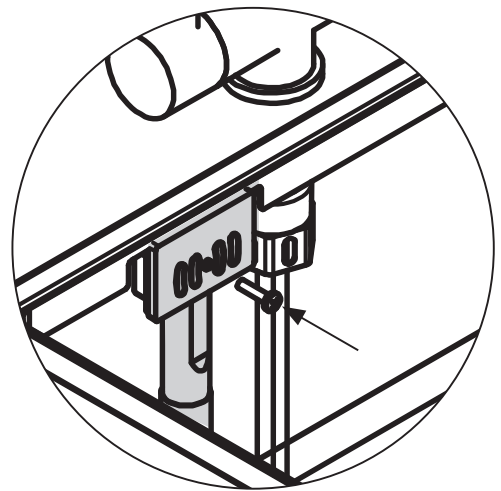
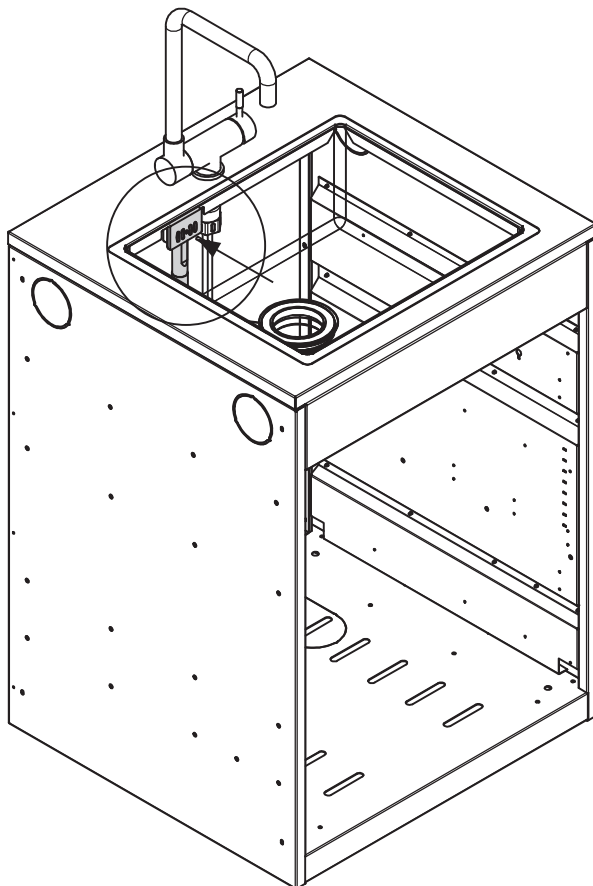
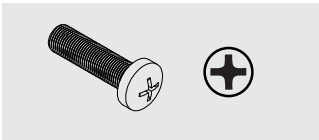
11



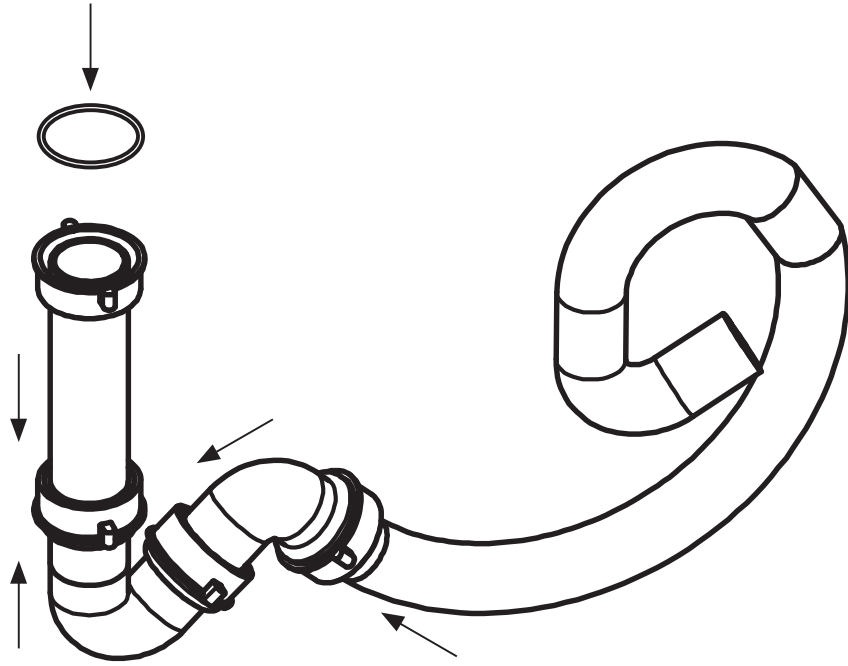
12



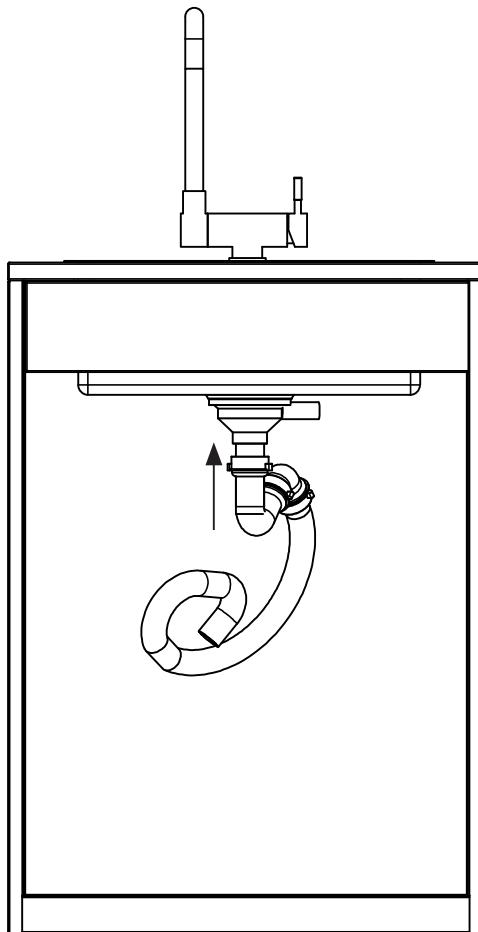
13

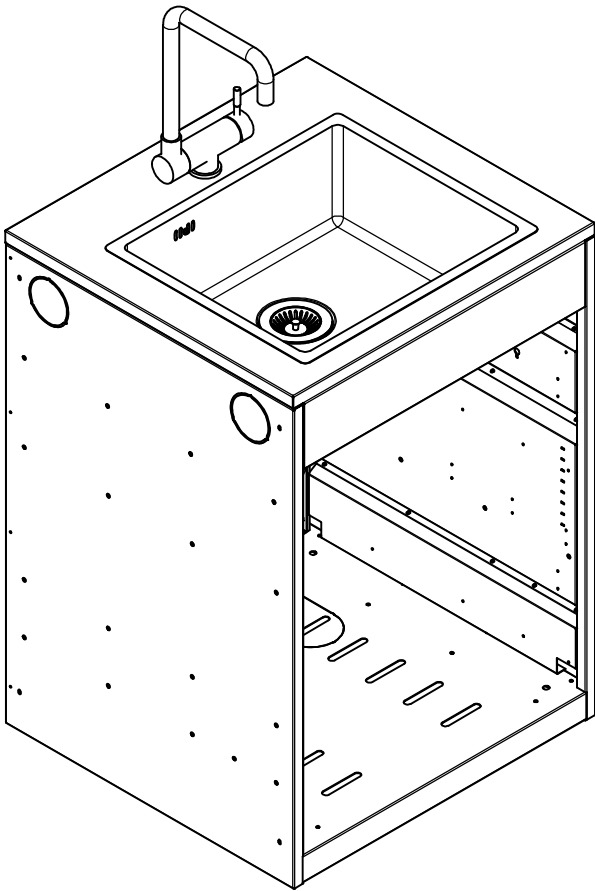


14



15





ATTENTION! Improper installation can result in property damage.

- We recommend hiring a professional for the connection to the water and waste water systems.
- The installed outdoor faucets are not frost-resistant. Ensure that the entire water system, including the faucets and drain-pipes, is completely drained when freezing temperatures are expected to prevent frost damage and burst pipes.
- Weber assumes no liability for improper installation or frost damage.

17

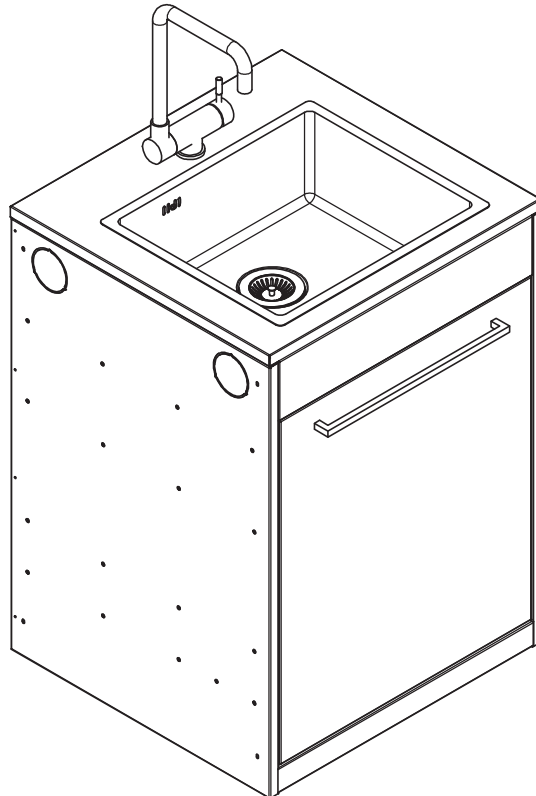


→ 3400538 (BBQ1000400S)

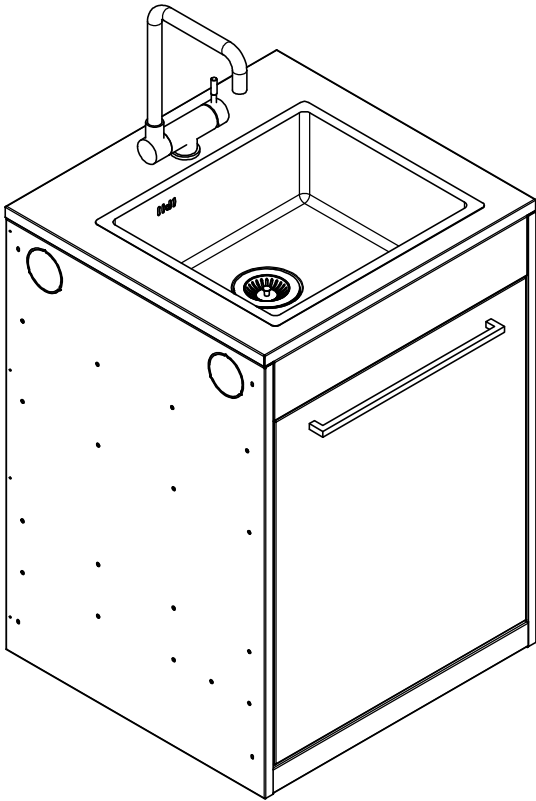


Video

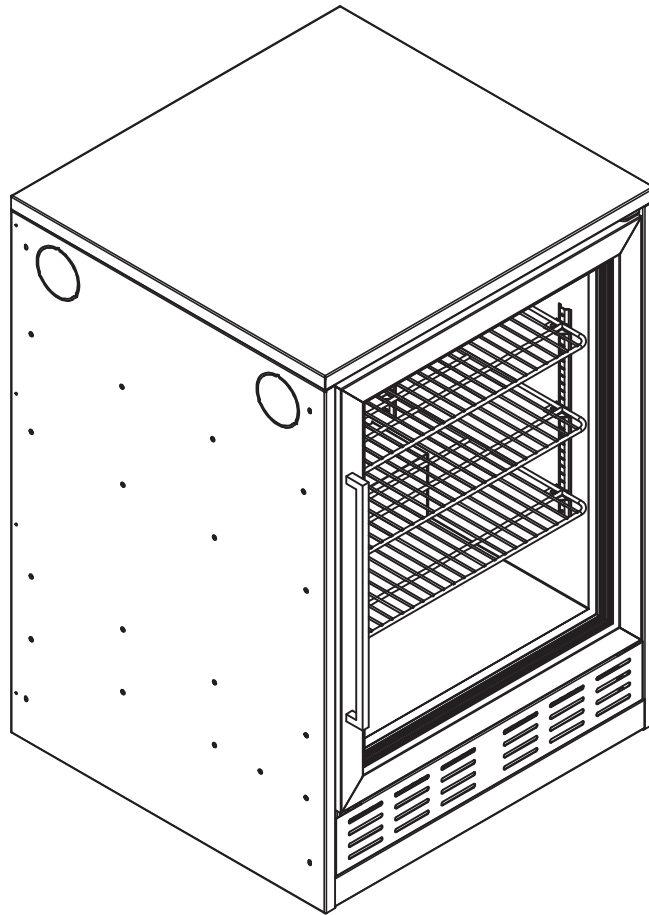
<https://youtu.be/RijuF4FH60c?si=84Hcb0iNjXotTL0C>



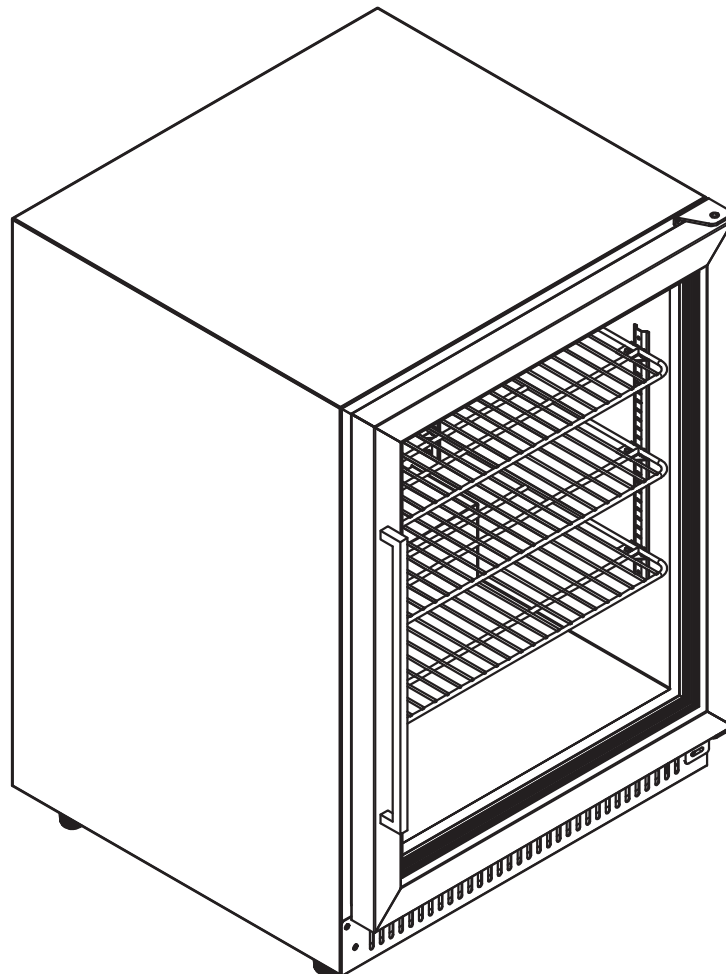
18



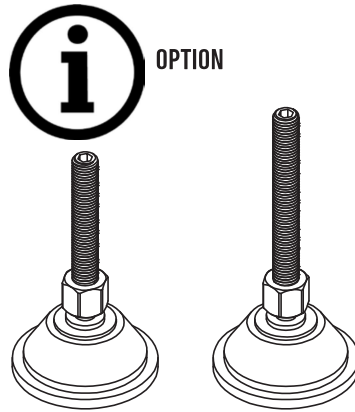
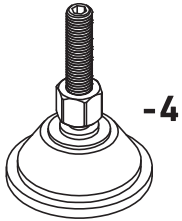
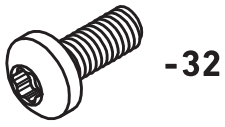
3401011 (BBQ1100071) FRIDGE MODULE (FOR BIG FRIDGE)



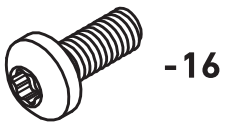
3401009 (BBQ2000392)



3400758 (BBQ1100100A)



3400754 (BBQ1101000A)



TOOLS INCLUDED:



SW5

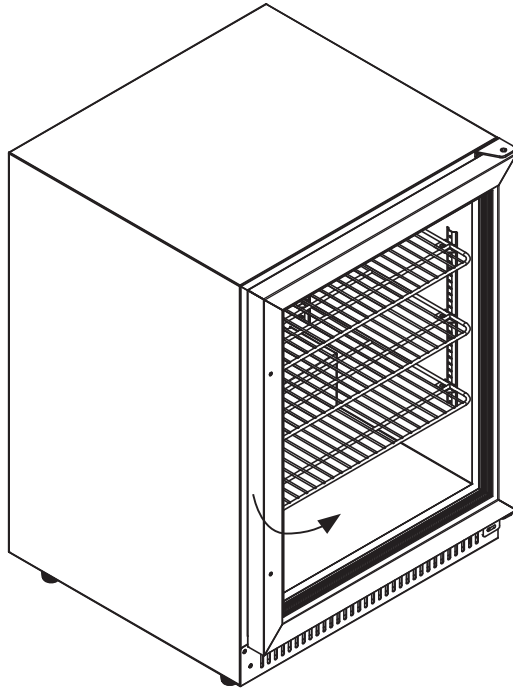
TOOLS REQUIRED:



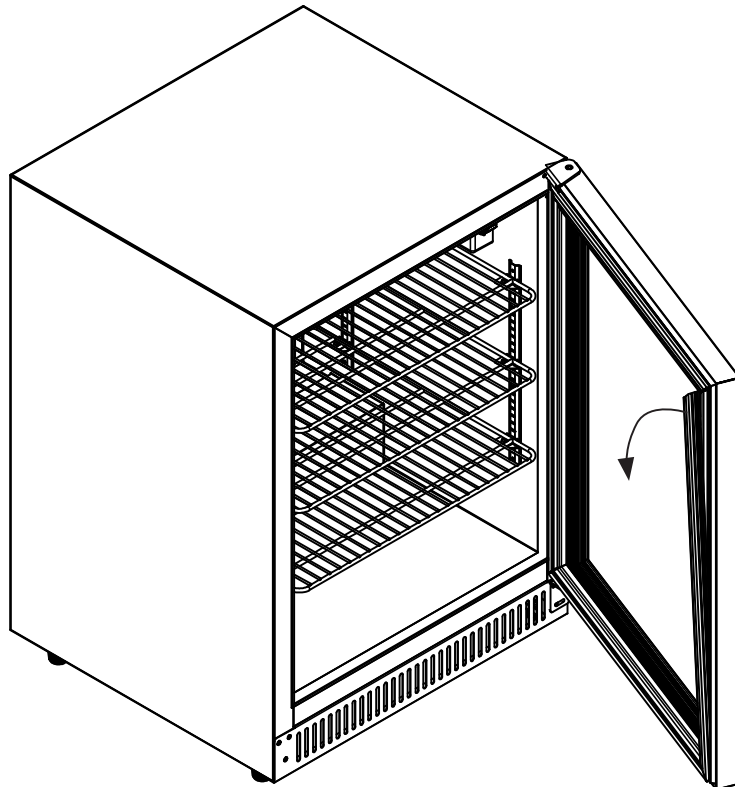
Tx20



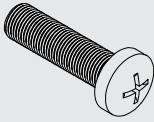
1



2



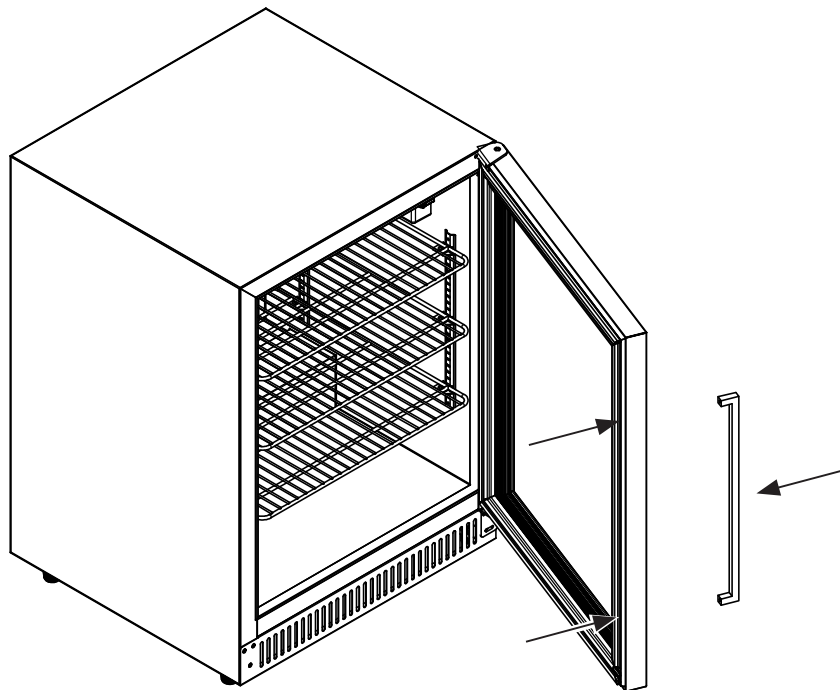
3



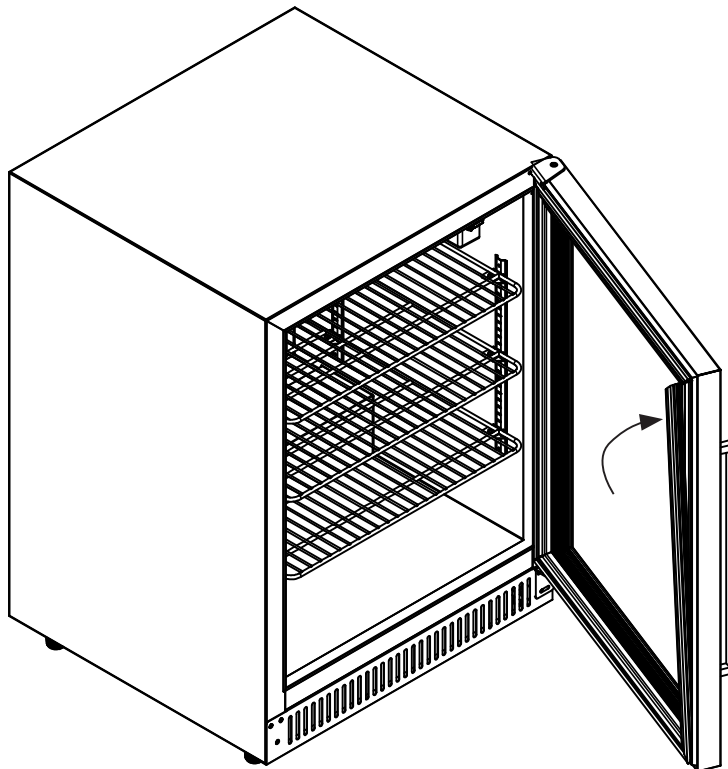
-2



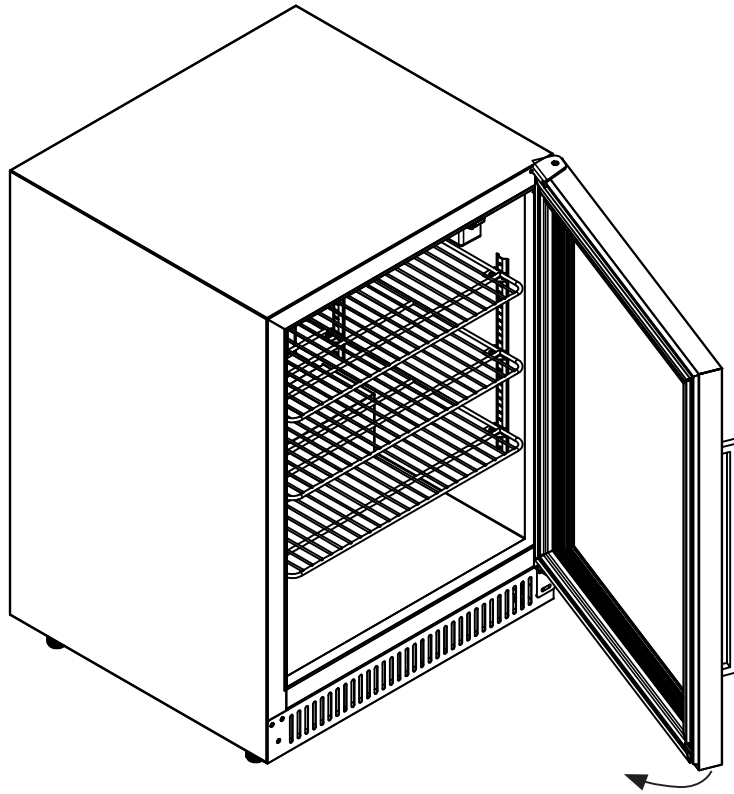
PH2



4



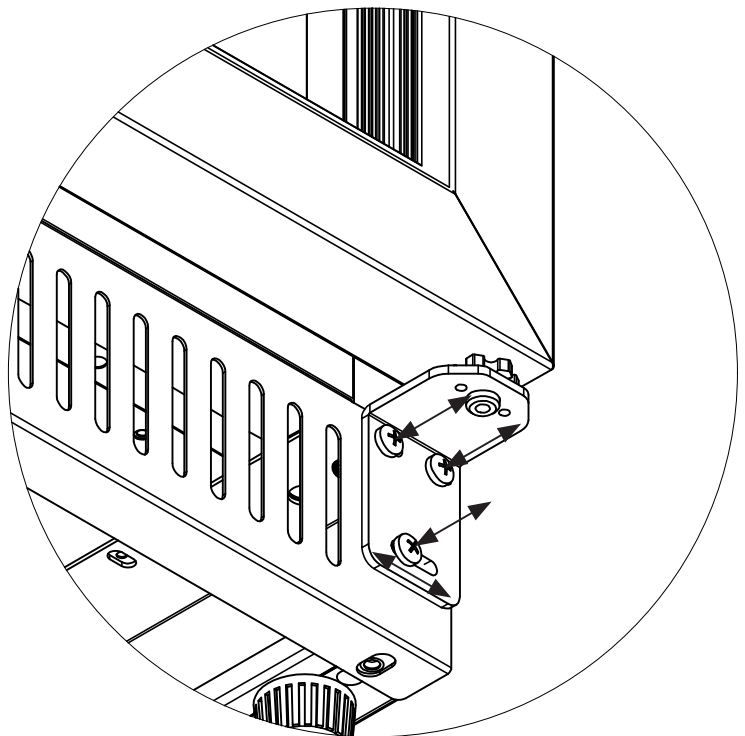
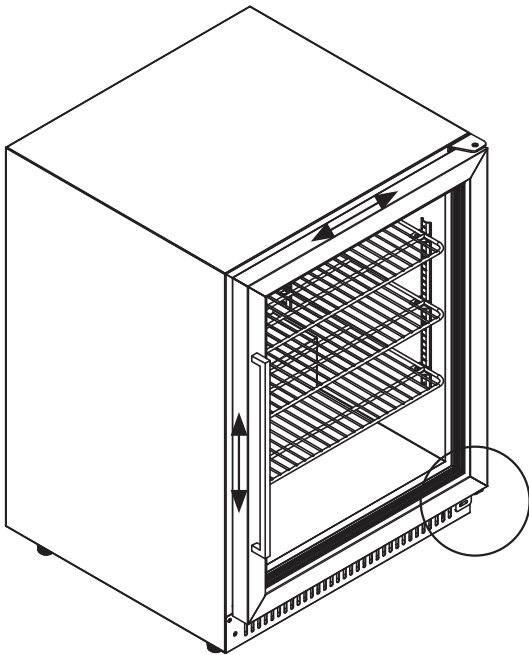
5



6



PH2



7



Video

<https://www.youtube.com/watch?v=clVk32vcV9k>

8



→ 3400544 (BBQ1000101S)

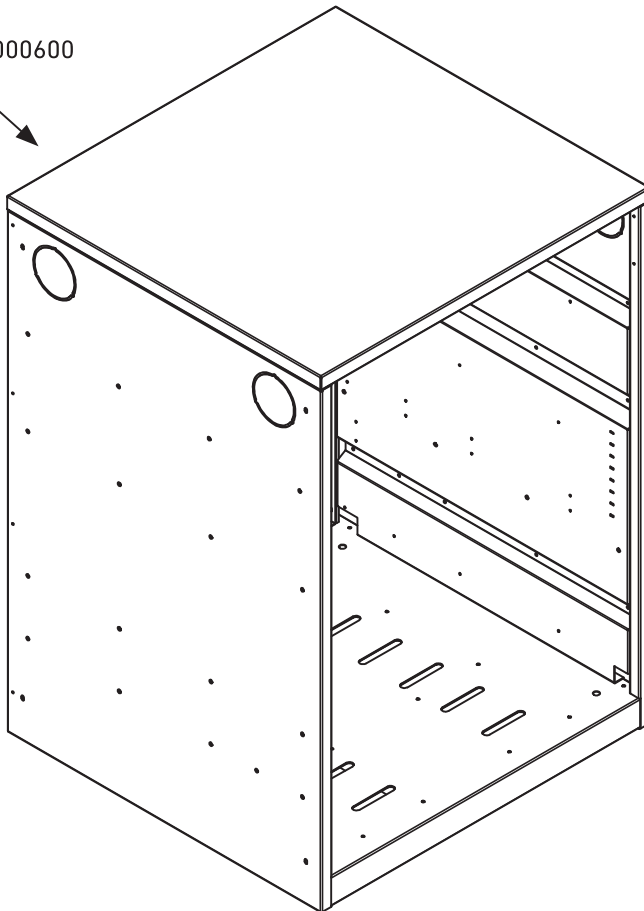


Video

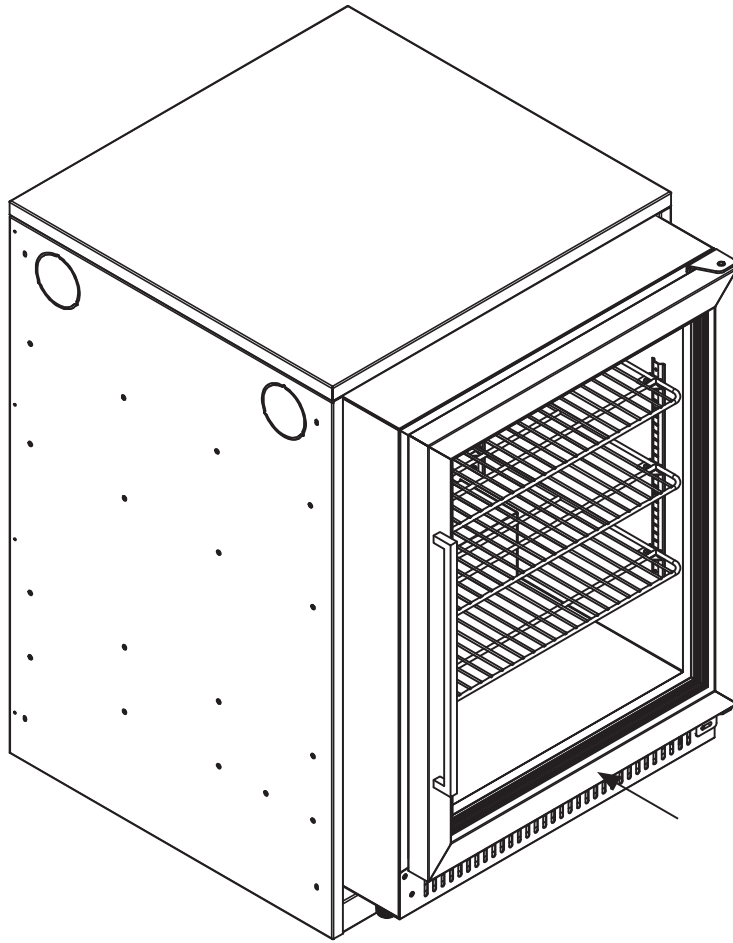
<https://youtu.be/3GbFCz4UgH8?si=5l-CzRSsgQphHan>



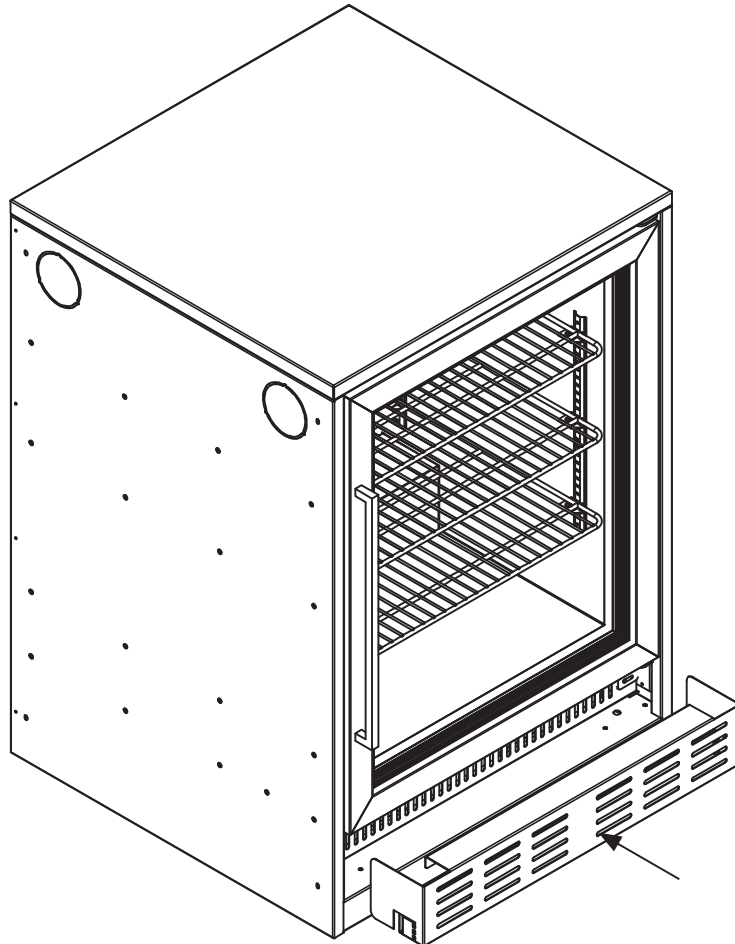
BBQ1000600



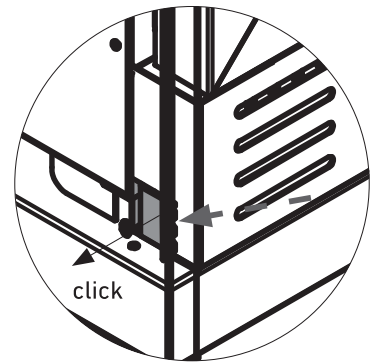
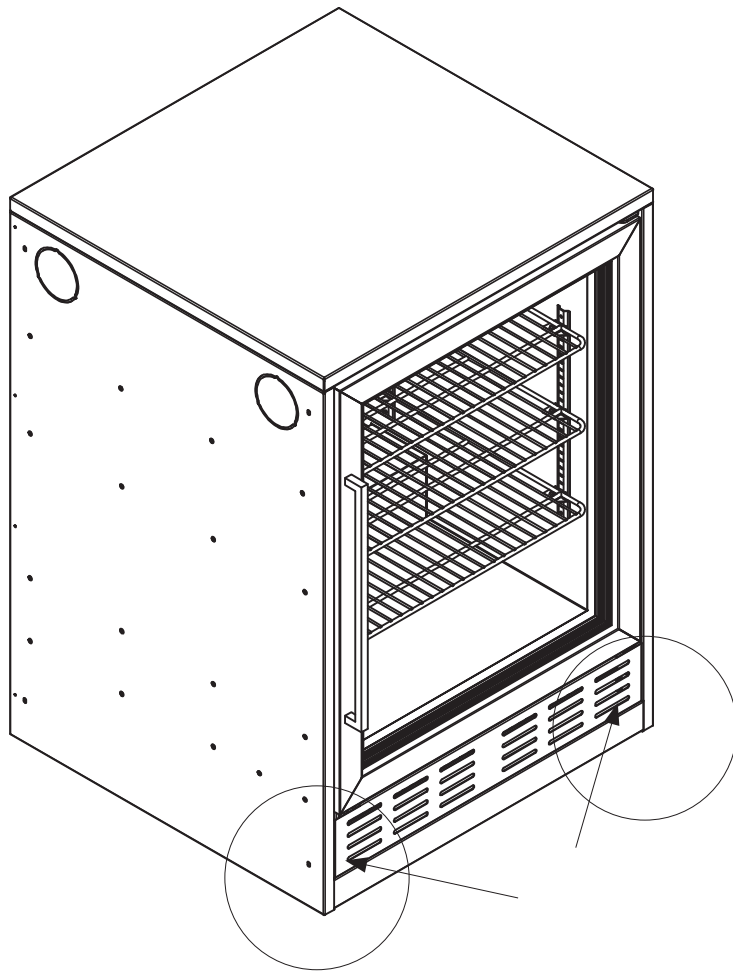
9



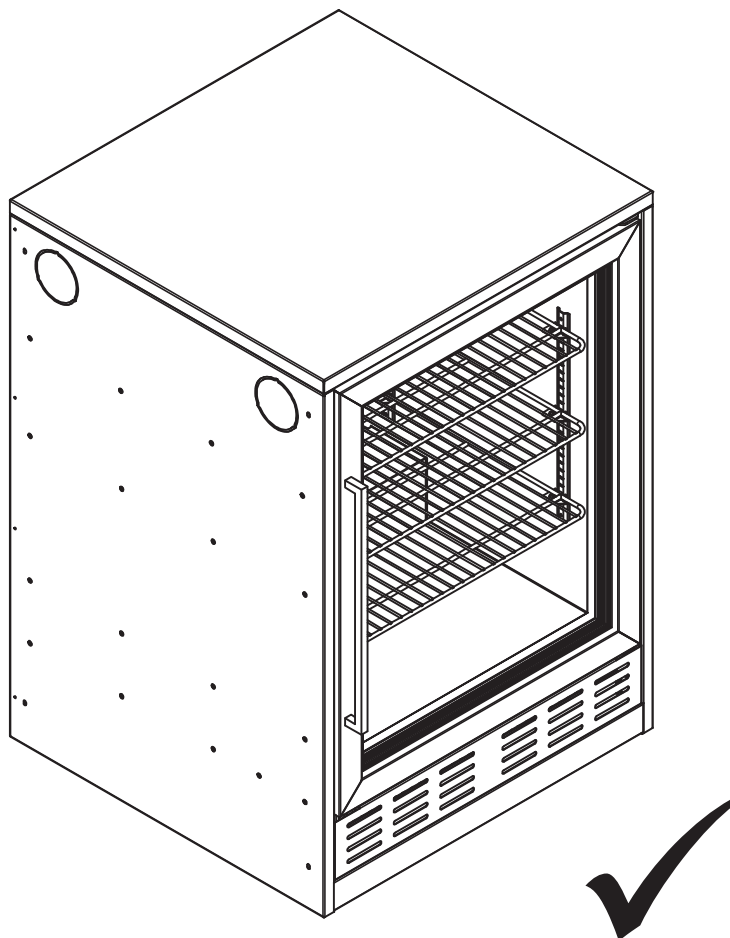
10



11

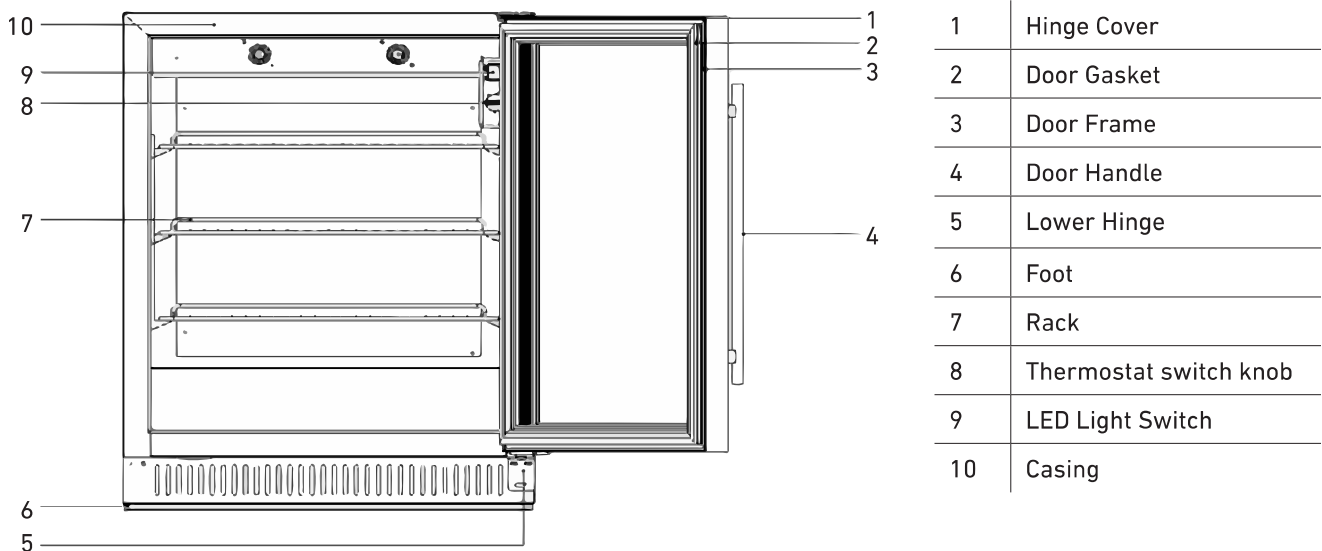


12



OUTDOOR REFRIGERATOR

Manufacturer Specific Details can be found in the box.



Optimal operating temperature:

+16°C to +35°C

(Within this range the below internal temperatures can be held. Below or above the optimal operating temperature range will give you varying results.)

Internal temperature range (at optimal operating temperature): 0°C to +10°C

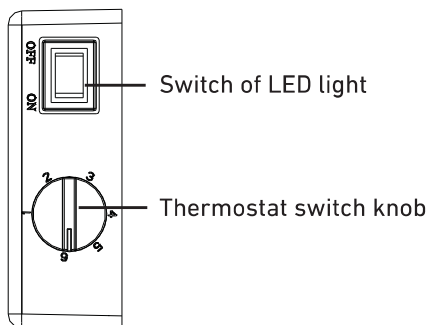
Possible operating temperature outdoors: 0°C to +35°C

(Fridge can be used outside within this range, but outside of the optimal operating temperatures you may not achieve the internal temperature range.)

Storage temperature outdoors:

-15°C to +35°C

Do not expose to direct sun.



Operational Notes:

Setting of power and light:

Slide the Led light switch can control the LED light.

Temperature setting:

The temperature setting has 1~6 gears, the first is the highest temp. and the sixth is the lowest temp. You can adjust according to your needs.

Article No.	3401009 (BBQ2000392) 3400509 (BBQ2002588) 3400520 (BBQ2002587)
Temperature Zone	Single zone
Shelves	3 Chrome Metal Shelves
Removable shelf	YES
Gas/Refrigerant	R600a
Type of Cooling	Compressor cooling
Compressor Type	Jiaxipera
Climate Type	Sub Tropical
Body Color	Stainless steel 304
LED light	White
Anti-UV and Glass	3 layers of Glass
Door	Stainless steel door
Handle	Square handle

Plug/Connector	220/230V 50 Hz Type F
Optimal operating temperature	16°-35°C
Temperature Range	0-10°C
Storage temperature	-15°-35°C
Power	70W
Control	Mechanical control with 6 gear
Body Size (not including handle)	D581xW595xH820 mm
Packaging Size	D650xW665xH840 mm
Net weight [kg]	51
Gross weight [kg]	55
Capacity [l]	118
Approval	CE, CB, GS, ERP

**Transportation:**

- Handle the fridge with care especially because the door is made of glass and could break.
- Take out all shelves before moving to prevent damage.
- Appliance should be turned off and unplugged before being moved.
- Fridge should not be at more than a 45° otherwise it could cause the compressor to fail.
- Do not carry from the front and rear of the box. The box can be tilted from the left and right when being picked up. Try to keep upright and do not lie the box down on its sides.

Operation:

When using electrical appliances, basic safety precautions should always be followed including the following:

WARNING

- This appliance is intended to be used in household, hotels, restaurants, stores and outdoors.
- Remove all packaging material before operation.
- Use the fridge on a smooth flat solid surface that is in a well-ventilated area.
- Do not use appliance for other than intended use. Use only on properly grounded outlet.
- Use this fridge only as described in this manual. Misuse may cause fire, electric shock or injury.
- Danger: To protect against electrical shock do not immerse cord, plugs, portable appliances (or other specific part or parts) in water or other liquid.
- WARNING: When positioning the appliance, ensure the supply cord is not trapped or damaged. Place the power cable away from traffic areas. Arrange the cable so that it will not be pulled or tripped over.
- Do not operate any appliance with a damaged cord or plug or after the appliance malfunctions or is dropped or damaged in any manner. Contact the Customer Service Representative in your area using the contact information on our web site. Log onto www.weber.com.
- Do not use the fridge if there are damaged, defective, or modified parts.
- Do not operate the unit if the electrical socket is damaged.
- Do not modify the appliance. Modifications are unsafe and will void your warranty.
- If the power cord is damaged, it must be repaired by professionals (by manufacturer, its service agent or similarly qualified person) in order to avoid any damage, harm or injury.
- This appliance is not intended for use by persons (including children) with reduced physical, sensory or mental capabilities, or lack of experience and knowledge, unless they have been given supervision or instruction concerning use of the appliance by a person responsible for their safety.
- Children should not play with the appliance.

Storage and/or Non-use**DANGER**

- Make sure appliance is OFF and remove plug from outlet when not in use, before putting on or taking off parts, and before cleaning.
- DANGER: Risk of child entrapment. Before you throw away your old refrigerator take off the doors. Leave the shelves in place so that children may not easily climb inside.
- Always unplug by pulling the plug. Do not pull on the cable.

Maintenance:

- Clean and maintenance the fridge regularly from inside and outside, otherwise, the refrigeration performance will be affected.
- For safety, please unplug the fridge before cleaning.
- Wipe and clean with a soft cloth, or use soft cloth with little neutral dish soap to clean, then use a dry soft cloth to wipe it dry.
- The following items will damage the product's surface: Alkaline detergent, toilet soap, milled powder, boiling water.

CAUTION

- Only use in areas where the electrical specifications are in accordance with the name plate on the appliance.
- Fridge is equipped with specialized plug and fuse. The plug should have a reliable ground conductor.
- The grounding wires cannot be connected with the gas pipe, the water pipe system, the lightning rod and the telephone. If ignore, it can cause an electric shock to the user.
- To ensure continued protection against risk of electric shock, connect to properly grounded outlets only.
- Don't damage the power cord or plug. If damaged stop using immediately.
- Do not exceed the wattage of the electrical socket.
- Don't put any electrical appliances into the fridge. Otherwise it may cause danger.
- Don't use a power socket with many appliances. This will cause the line heating, and even fire.
- Don't store near flammable products.
- Don't spray flammables near the fridge.
- Don't damage the refrigeration cycle tube. The refrigeration cycle tube was installed inside and outside cabinet. If these parts are broken, it will cause the cooling pipeline rupture. Make sure no other high wattage appliances are plugged into the same circuit when using fridge.
- Do not touch surfaces that may be hot, like the compressor.
- Close supervision is necessary when any appliance is used by or near children.
- Risk of electric shock, keep extension cord connection dry and off the ground.

CAUTION

- Never expose to direct sun.
- When the product won't be used for a long time, please follow the below instruction:
 1. Unplug the power plug and take out all of the items inside the appliance.
 2. Please clean the inside and outside of the product and make it fully dry.
 3. Store away from any place children may have access to. In case a child enters the fridge it can be dangerous or even deadly.
- When outside of the outdoor storage temperature (-15°C to 35°C) store fridge indoors when not in use and keep out of reach of children.
- Allow the compressor to cool before moving, cleaning or storing it.
- At the products end of life do not arbitrarily discard. The fridge needs to be recycled as regulations mandate in your area.

